

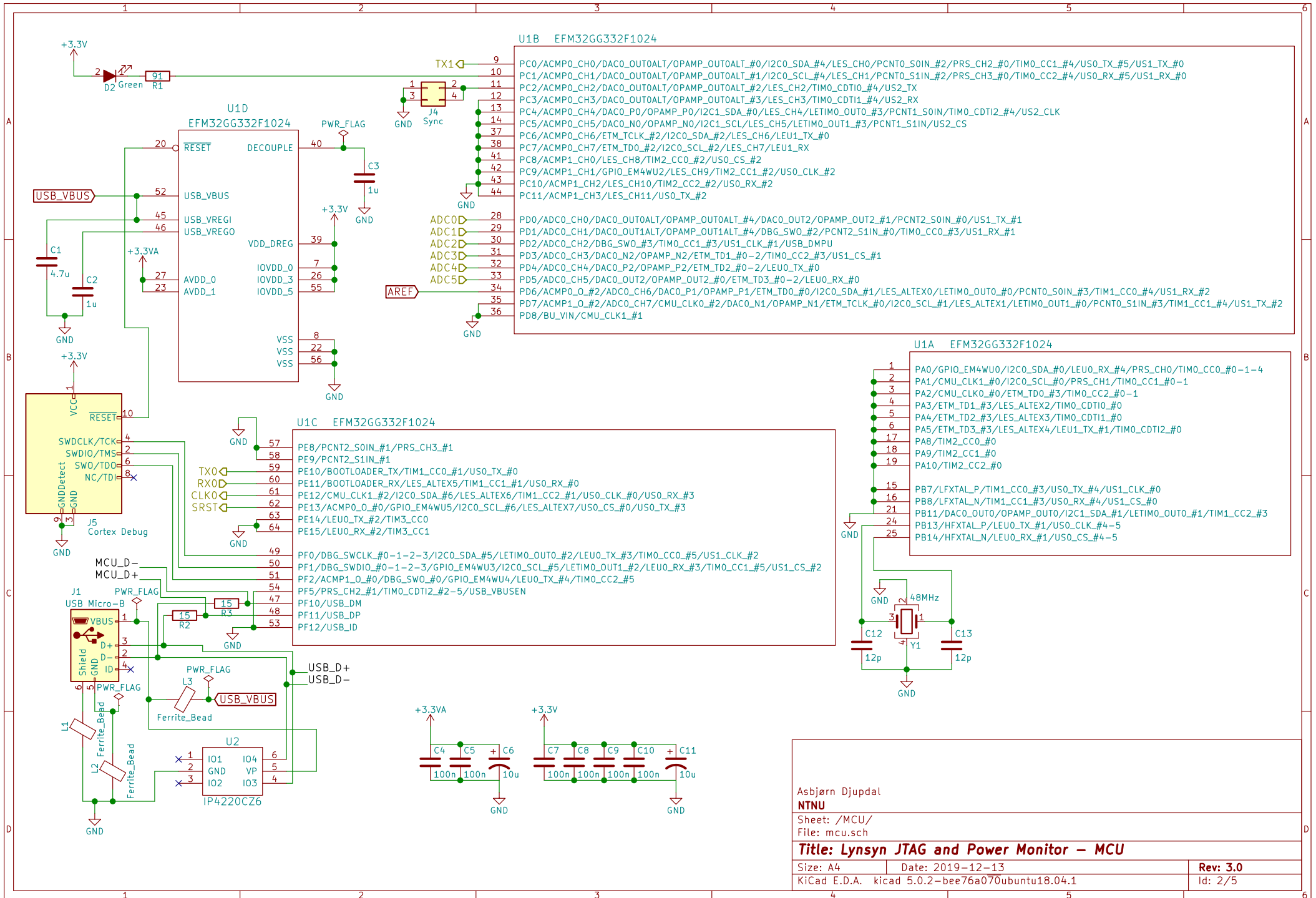
Asbjørn Djupdal  
**NTNU**

Sheet: /  
 File: lynsyn.sch

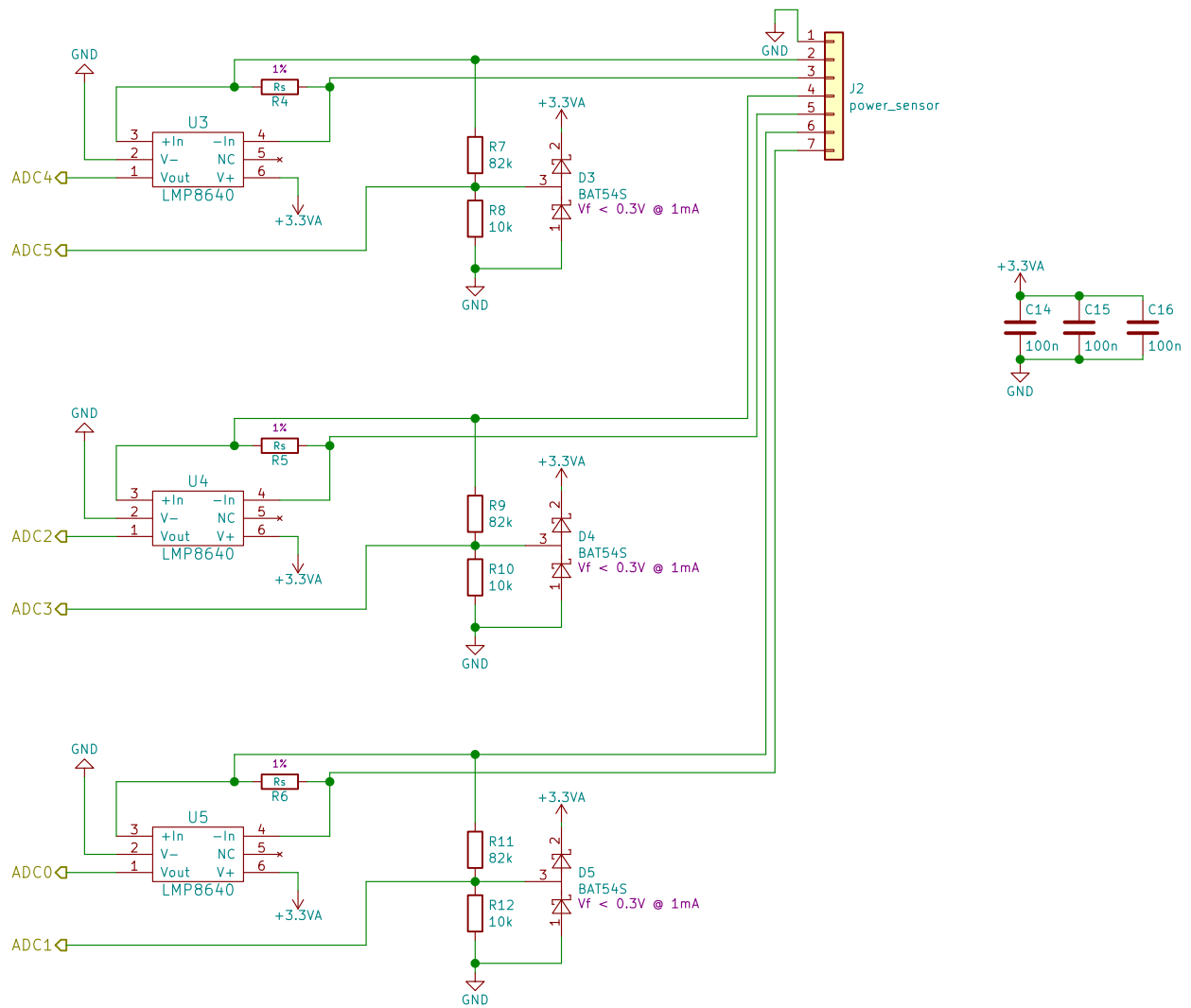
**Title: Lynsyn JTAG and Power Monitor**

Size: A4 Date: 2019-12-13  
 KiCad E.D.A. kicad 5.0.2-ubuntu18.04.1

**Rev: 3.0**  
 Id: 1/5



Asbjørn Djupdal  
**NTNU**  
 Sheet: /MCU/  
 File: mcu.sch  
**Title: Lynsyn JTAG and Power Monitor – MCU**  
 Size: A4 Date: 2019-12-13 Rev: 3.0  
 KiCad E.D.A. kicad 5.0.2- bcc76a070ubuntu18.04.1 Id: 2/5

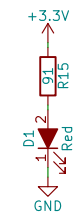
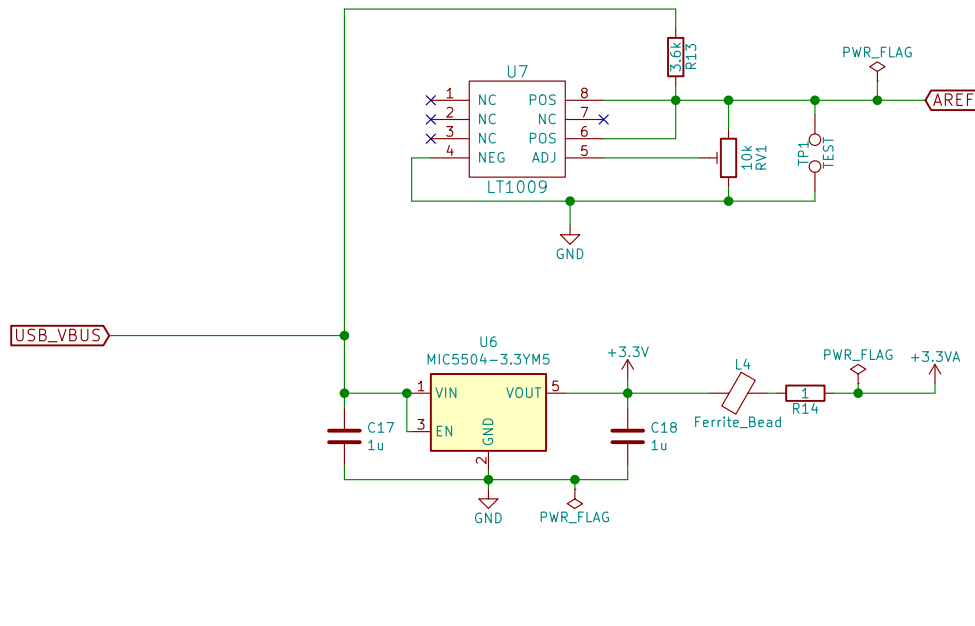


Asbjørn Djupdal  
 NTNU

Sheet: /Current monitor/  
 File: current.sch

**Title: Lynsyn JTAG and Power Monitor – Power Sensors**

Size: A4	Date: 2019-12-13	Rev: 3.0
KiCad E.D.A. kicad 5.0.2-bee76a070ubuntu18.04.1		Id: 3/5

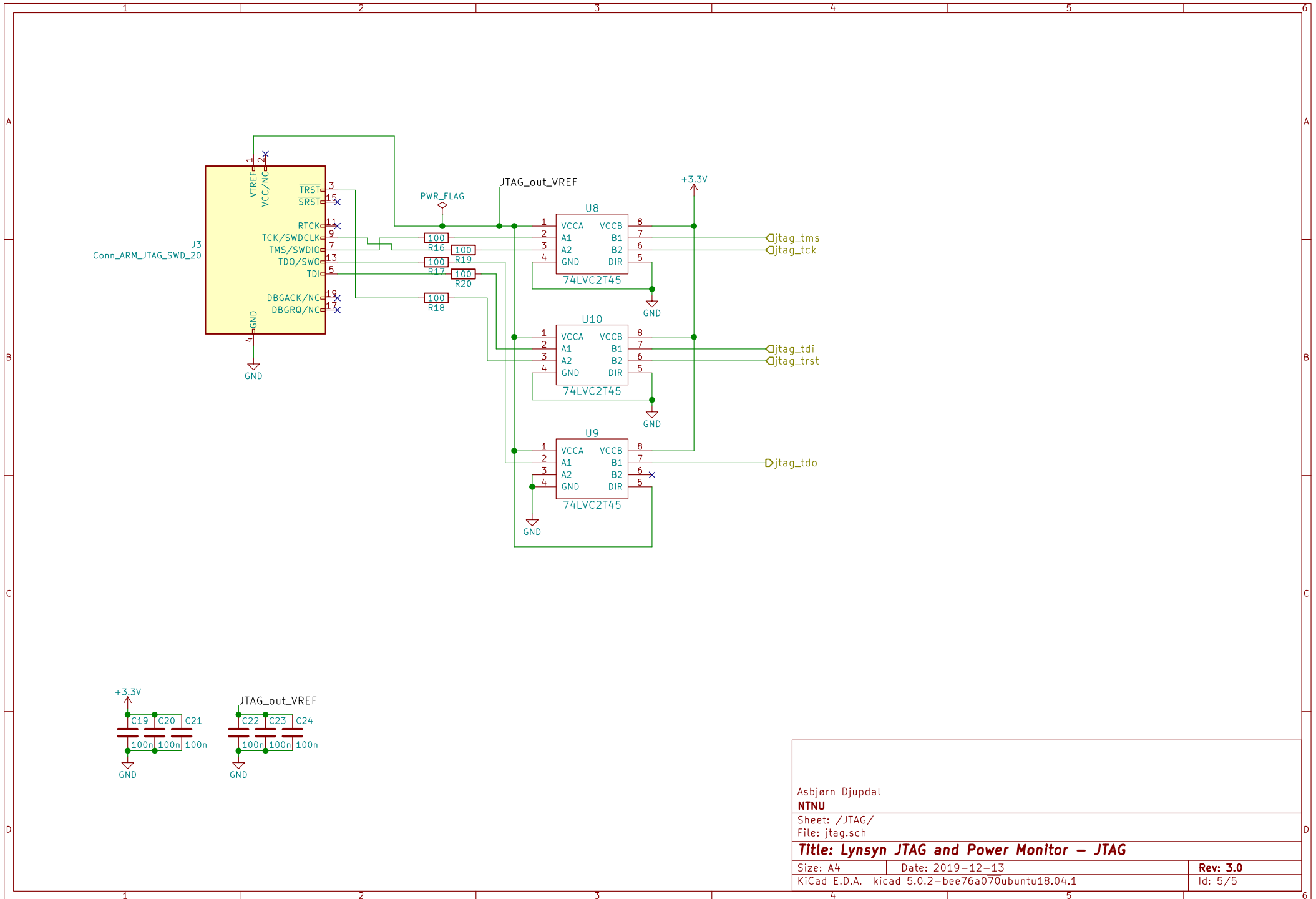


Asbjørn Djupdal  
**NTNU**

Sheet: /Power/  
 File: power.sch

**Title: Lynsyn JTAG and Power Monitor – Power Supply**

Size: A4	Date: 2019-12-13	Rev: 3.0
KiCad E.D.A. kicad 5.0.2-bee76a070ubuntu18.04.1		Id: 4/5



Asbjørn Djupdal  
**NTNU**

Sheet: /JTAG/  
 File: jtag.sch

**Title: Lynsyn JTAG and Power Monitor – JTAG**

Size: A4	Date: 2019-12-13	Rev: 3.0
KiCad E.D.A. kicad 5.0.2-bee76a070ubuntu18.04.1		Id: 5/5