

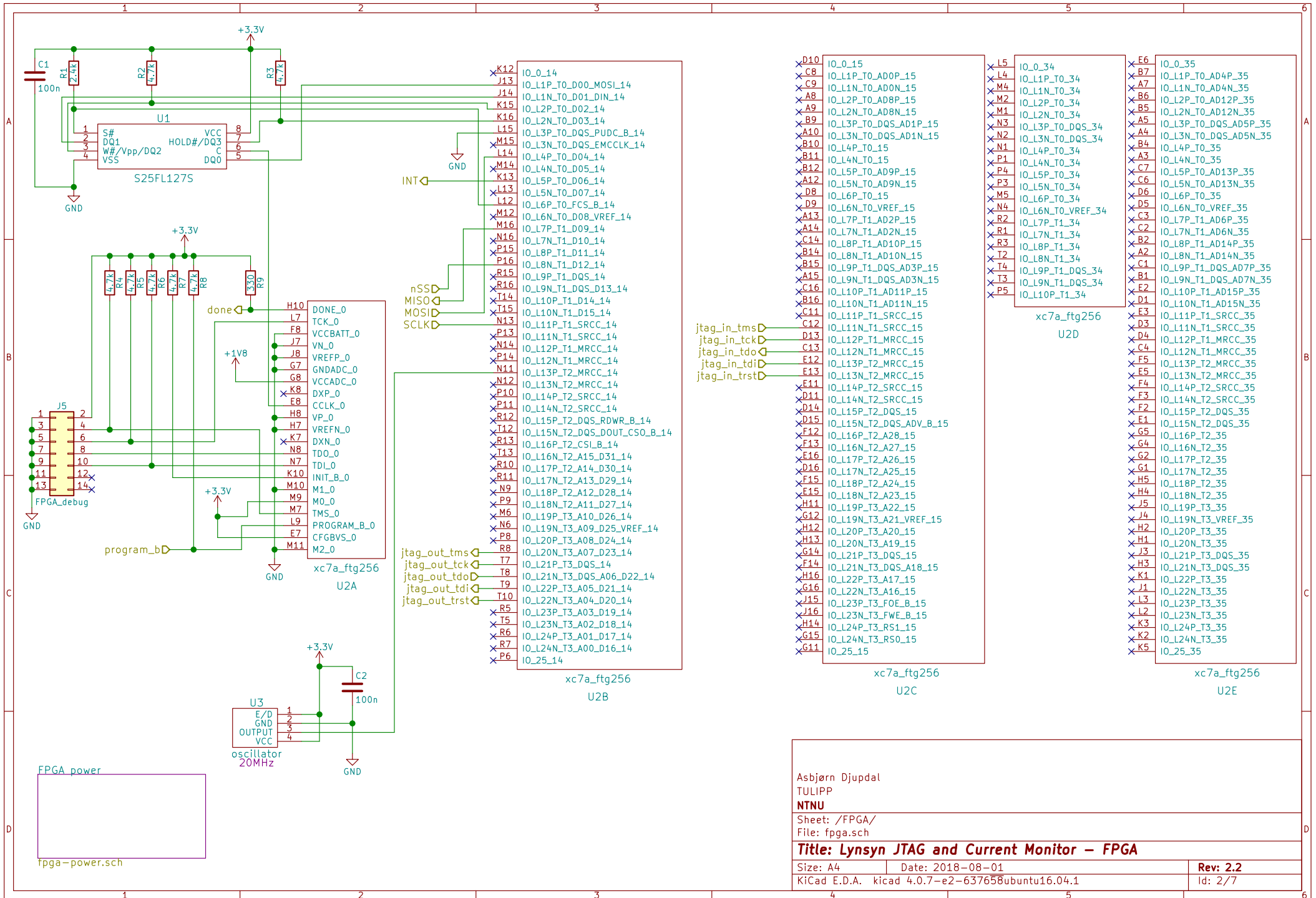
Asbjørn Djupdal  
TULIPP  
NTNU

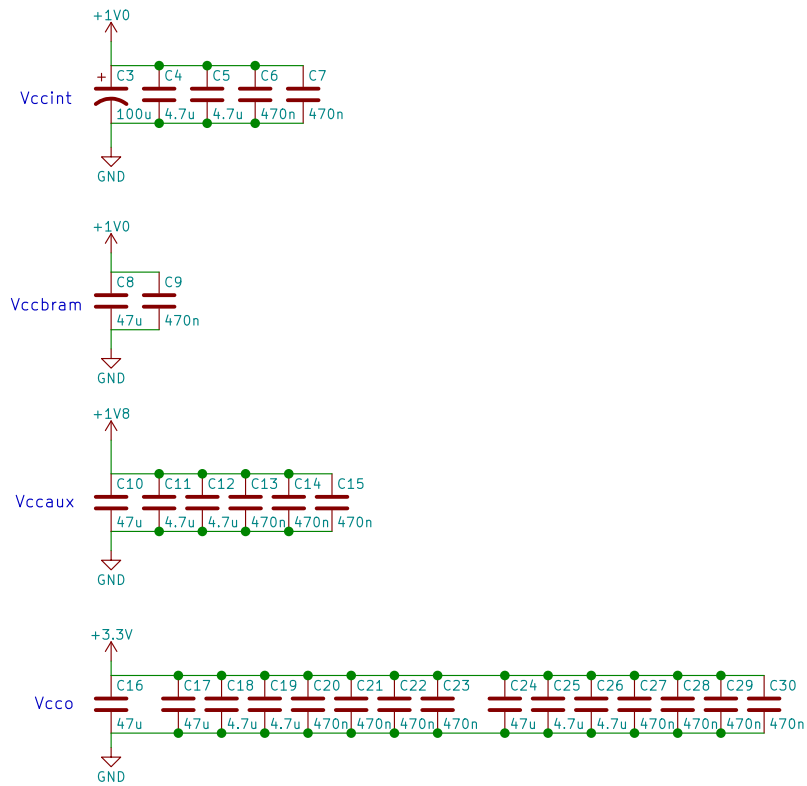
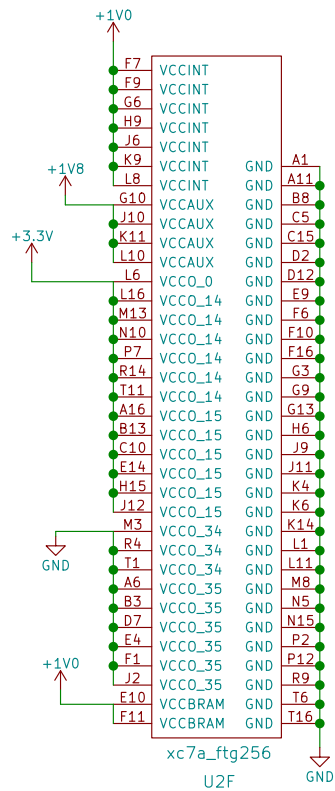
Sheet: /  
File: lynesyn.sch

**Title: Lynesyn JTAG and Current Monitor**

Size: A4 Date: 2018-08-01  
KiCad E.D.A. kicad 4.0.7-e2-637658ubuntu16.04.1

Rev: 2.2  
Id: 1/7



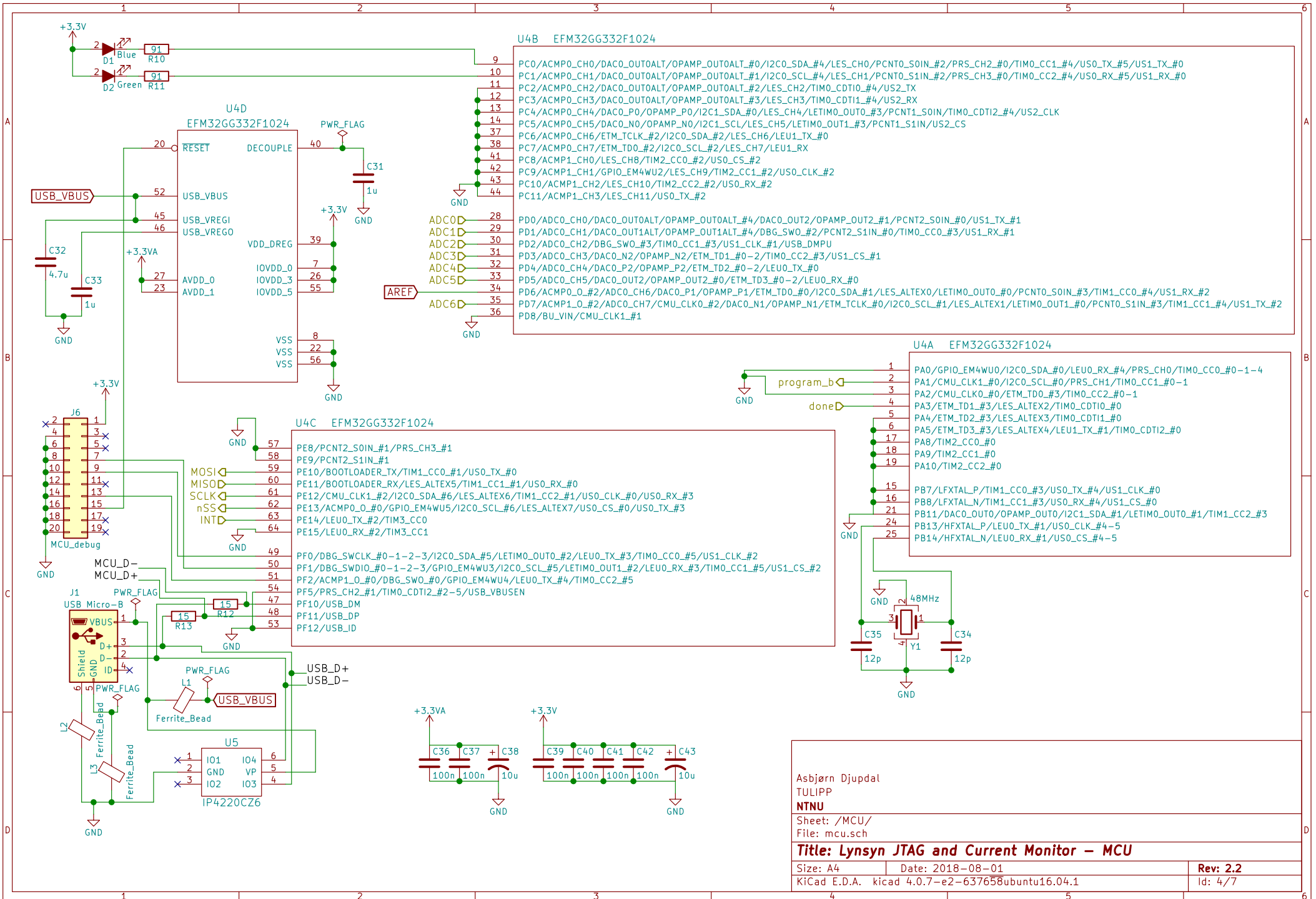


Asbjørn Djupdal  
 TULIPP  
 NTNU

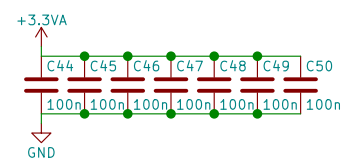
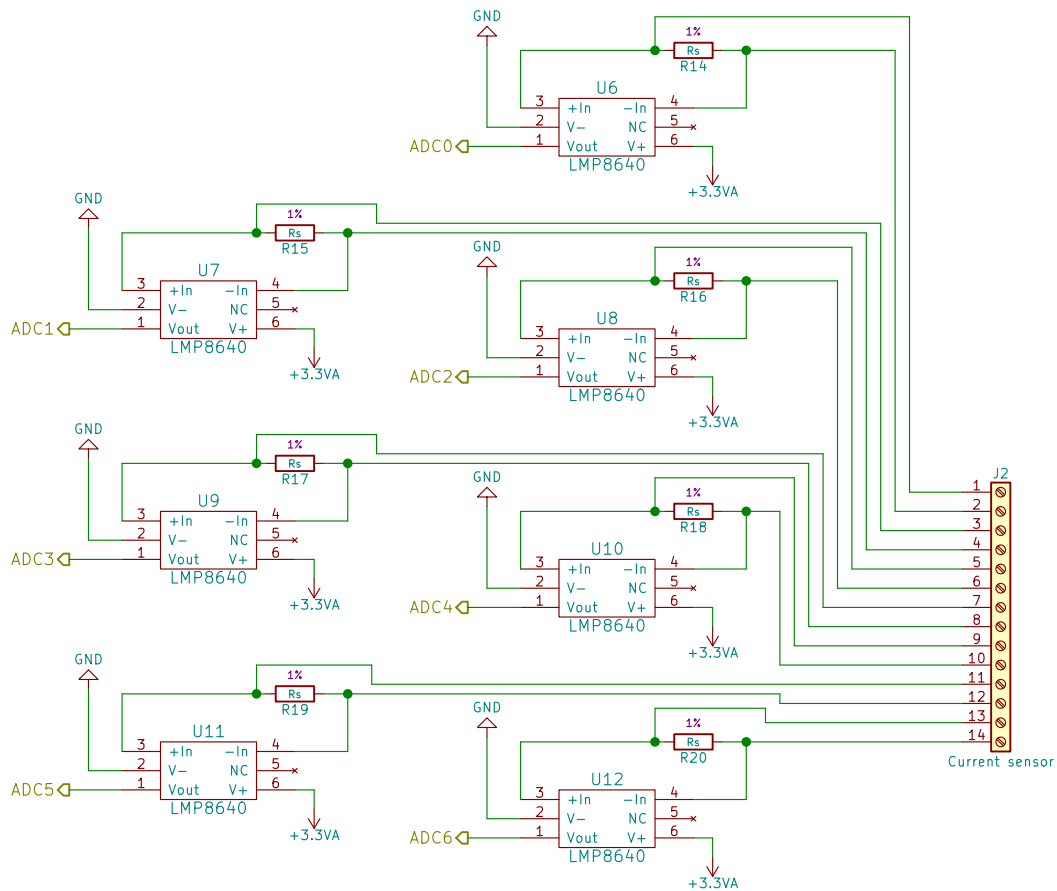
Sheet: /FPGA/FPGA power/  
 File: fpga-power.sch

**Title: Lynsyn JTAG and Current Monitor – FPGA Power**

Size: A4	Date: 2018-08-01	Rev: 2.2
KiCad E.D.A. kicad 4.0.7-e2-637658ubuntu16.04.1		Id: 3/7



Asbjørn Djupdal TULIPP NTNU	
Sheet: /MCU/ File: mcu.sch	
<b>Title: Lynsyn JTAG and Current Monitor – MCU</b>	
Size: A4	Date: 2018-08-01
KiCad E.D.A. kicad 4.0.7-e2-63765ubuntu16.04.1	Rev: 2.2 Id: 4/7

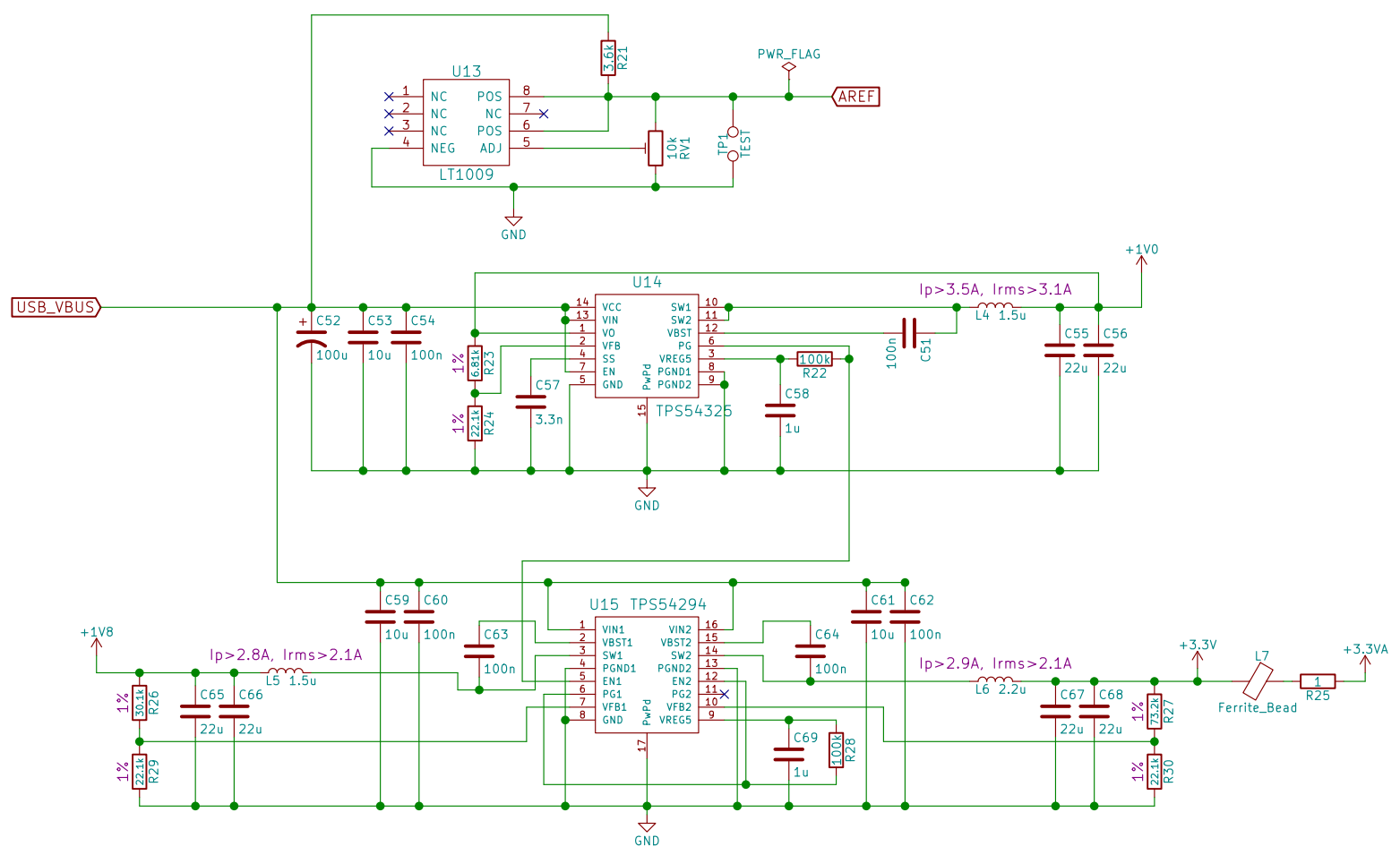


Asbjørn Djupdal  
TULIPP  
NTNU

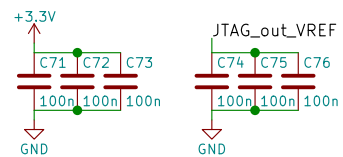
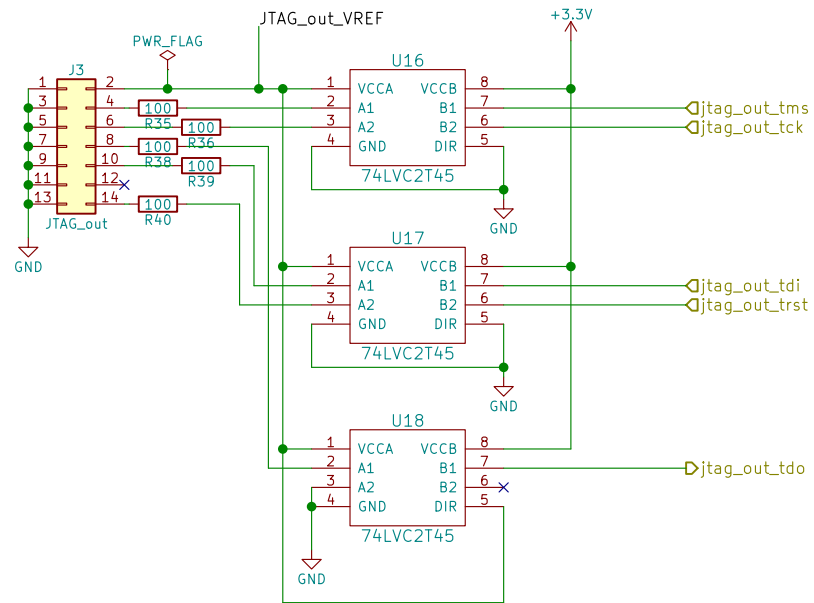
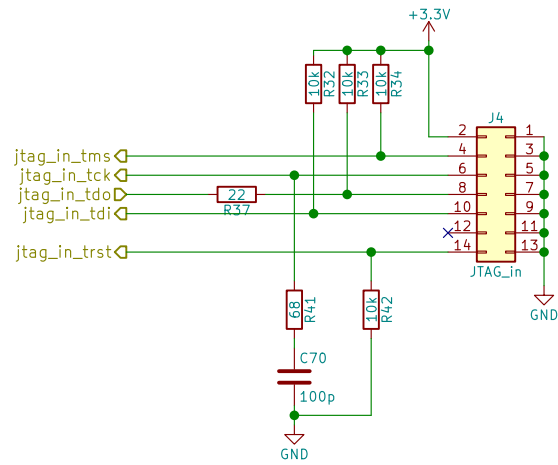
Sheet: /Current monitor/  
File: current.sch

**Title: Lynsyn JTAG and Current Monitor – Current Sensor**

Size: A4	Date: 2018-08-01	Rev: 2.2
KiCad E.D.A. kicad 4.0.7-e2-637658ubuntu16.04.1		Id: 5/7



Asbjørn Djupdal TULIPP NTNU		
Sheet: /Power/ File: power.sch		
<b>Title: Lynsyn JTAG and Current Monitor – Power</b>		
Size: A4	Date: 2018-08-01	Rev: 2.2
KiCad E.D.A. kicad 4.0.7-e2-637658ubuntu16.04.1		Id: 6/7



Asbjørn Djupdal  
TULIPP  
NTNU

Sheet: /JTAG/  
File: jtag.sch

**Title: Lynsyn JTAG and Current Monitor – JTAG**

Size: A4 Date: 2018-08-01  
KiCad E.D.A. kicad 4.0.7-e2-637658ubuntu16.04.1

Rev: 2.2  
Id: 7/7