

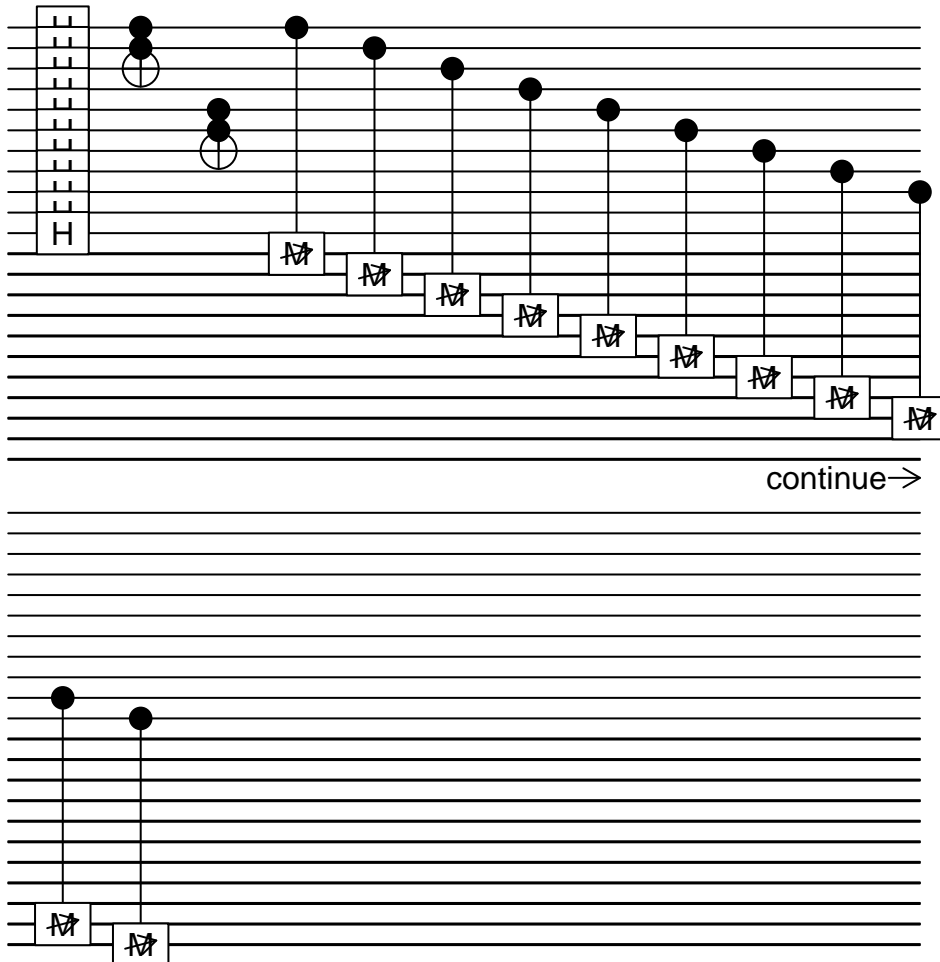
# Testing plot routine

Marco Garofalo

9/28/2021

```
source("/home/marco/programs/qsimulatR/R/plot-qstate.R")
x <- qstate(nbits=11)
for (i in c(1:11)){
  x<- H(i)* x
}
x<- CCNOT(c(1,2,3)) *x
x<- CCNOT(c(5,6,7)) *x
x<-measure(x)$psi

plot(x)
```



```

source("/home/marco/programs/qsimulatR/R/plot-qstate.R")
x <- qstate(nbits=3)
for (i in c(1:3)){
  x<- H(i)* x
  x<- X(i)* x
  x<- CNOT( c(i,(i+1)%%3+1) )* x
}

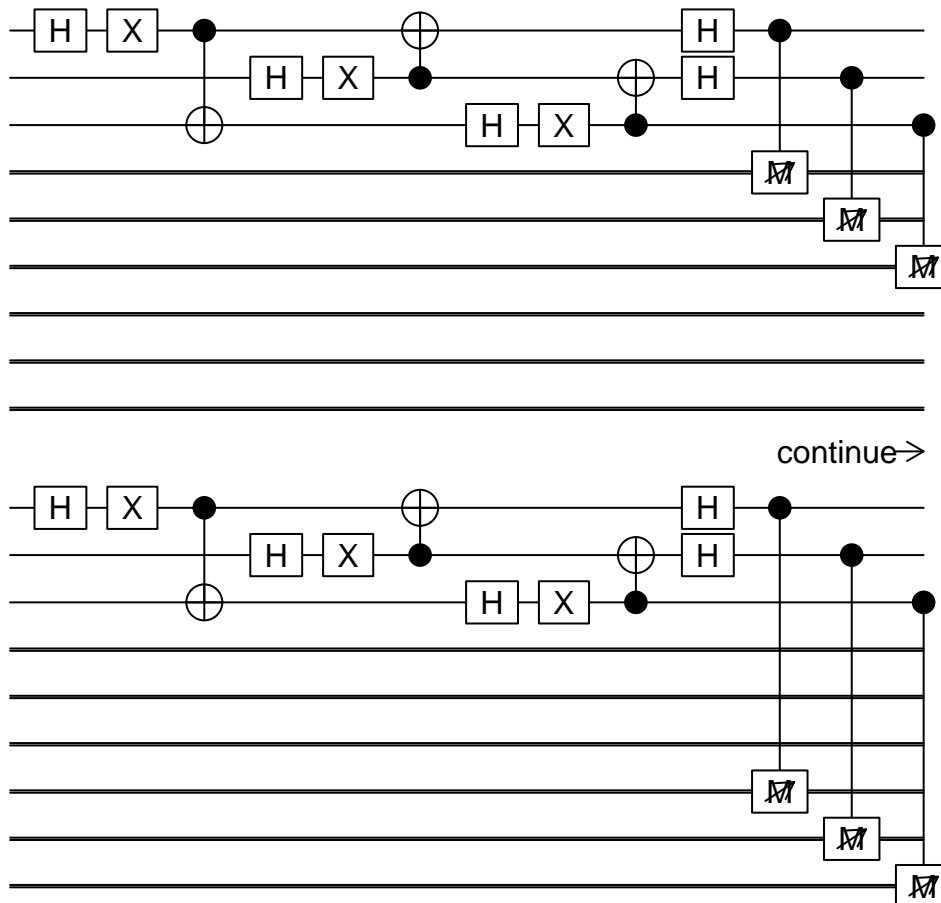
x<- H(1)* x
x<- H(2)* x
x<-measure(x)$psi

for (i in c(1:3)){
  x<- H(i)* x
  x<- X(i)* x
  x<- CNOT( c(i,(i+1)%%3+1) )* x
}

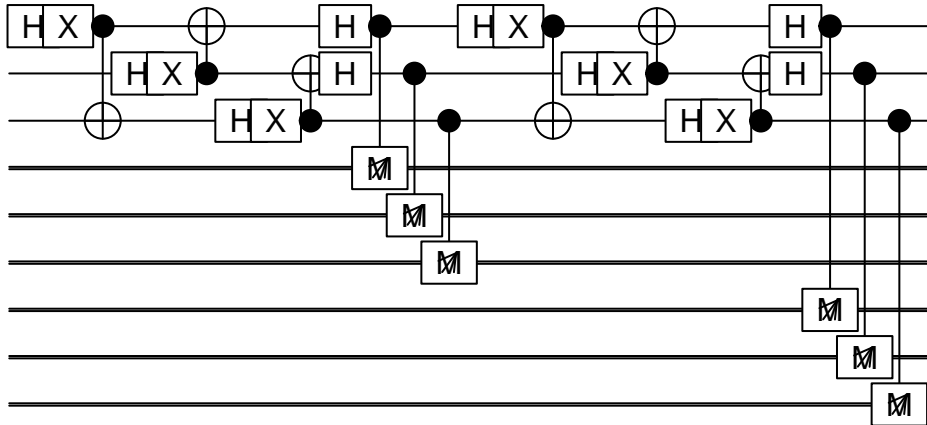
x<- H(1)* x
x<- H(2)* x
x<-measure(x)$psi

plot(x,gate_x_plot=13)

```



```
plot(x, gate_x_plot=27)
```



```
source("/home/marco/programs/qsimulatR/R/plot-qstate.R")  
x <- qstate(nbits=3)
```

```
plot(x)
```

