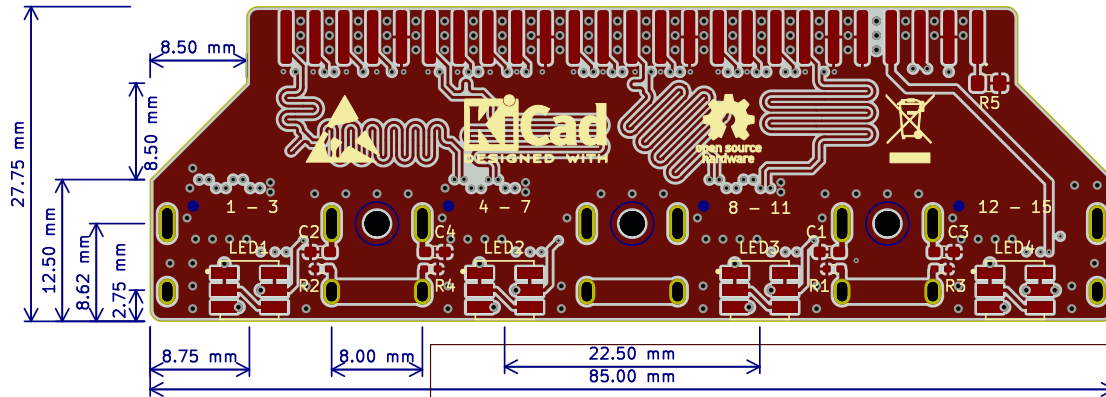


Sheet: \${SHEETPATH}	
File: breakout_hdmi.kicad_pcb	
Title:	
Size: A5	Date: 2023-12-13T20:45:55+00:00
VCS: Git <0fb8bf2ac3a5df24ce1a95ceb897c83363ac744d>	Rev: 0fb8bf2-dirty
KiCad E.D.A. 7.0.9-7.0.9-ubuntu23.04.1 + KiBot v1.6.3	Id: 1/9



Sheet: \${SHEETPATH}
 File: breakout_hdmi.kicad_pcb

Title:

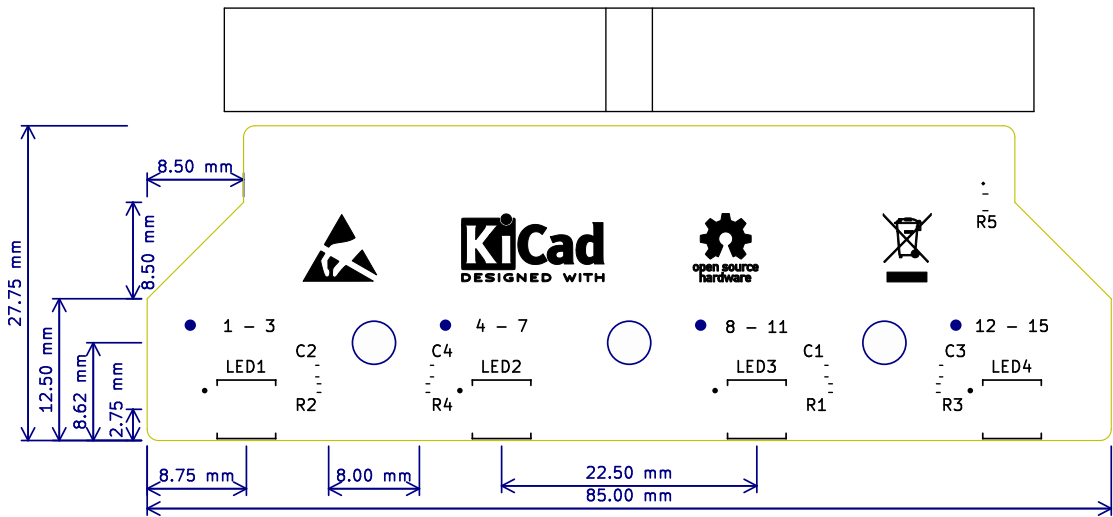
Size: A5 Date: 2023-12-13T20:45:55+00:00

VCS: Git <0fb8bf2ac3a5df24ce1a95ceb897c83363ac744d>

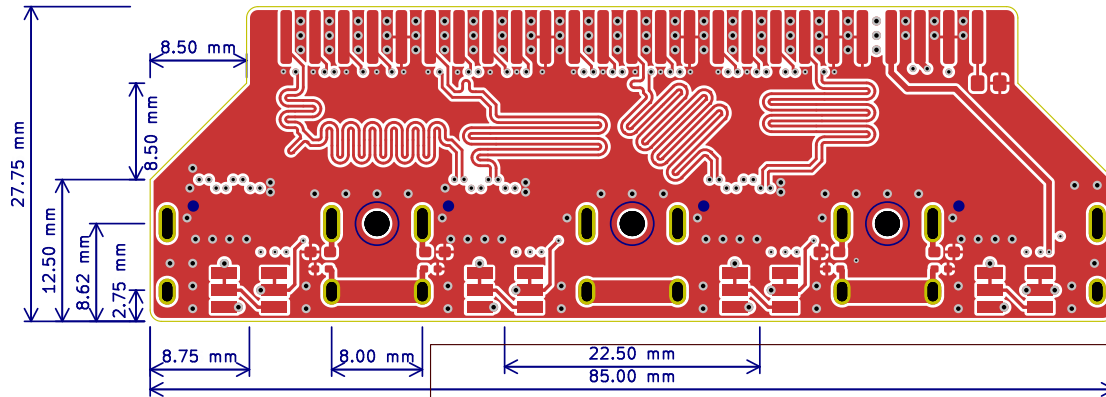
Rev: 0fb8bf2-dirty

KiCad E.D.A. 7.0.9-7.0.9-ubuntu23.04.1 + KiBot v1.6.3

Id: 2/9



Sheet: \${SHEETPATH}	
File: breakout_hdmi.kicad_pcb	
Title:	
Size: A5	Date: 2023-12-13T20:45:55+00:00
VCS: Git <0fb8bf2ac3a5df24ce1a95ceb897c83363ac744d>	
KiCad E.D.A. 7.0.9-7.0.9-ubuntu23.04.1 + KiBot v1.6.3	Rev: 0fb8bf2-dirty
	Id: 3/9



Sheet: \${SHEETPATH}
 File: breakout_hdmi.kicad_pcb

Title:

Size: A5

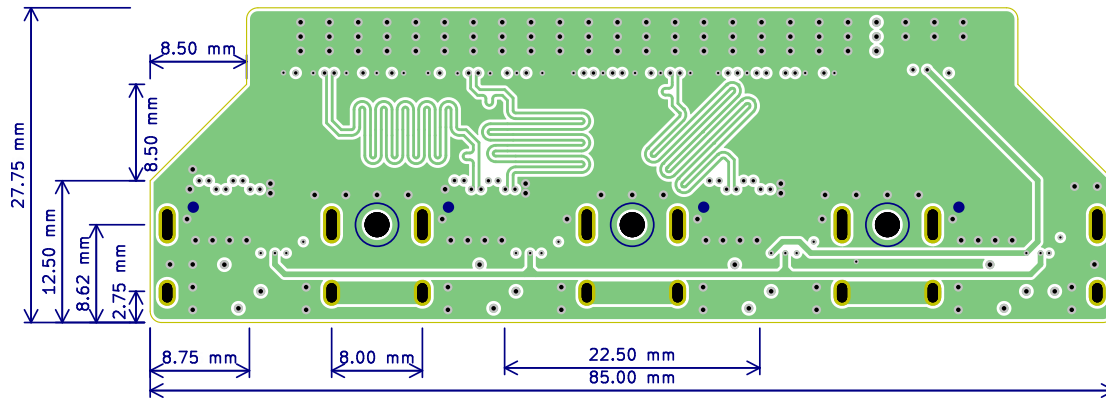
Date: 2023-12-13T20:45:55+00:00

VCS: Git <0fb8bf2ac3a5df24ce1a95ceb897c83363ac744d>

Rev: 0fb8bf2-dirty

KiCad E.D.A. 7.0.9-7.0.9-ubuntu23.04.1 + KiBot v1.6.3

Id: 4/9



Sheet: \${SHEETPATH}
 File: breakout_hdmi.kicad_pcb

Title:

Size: A5

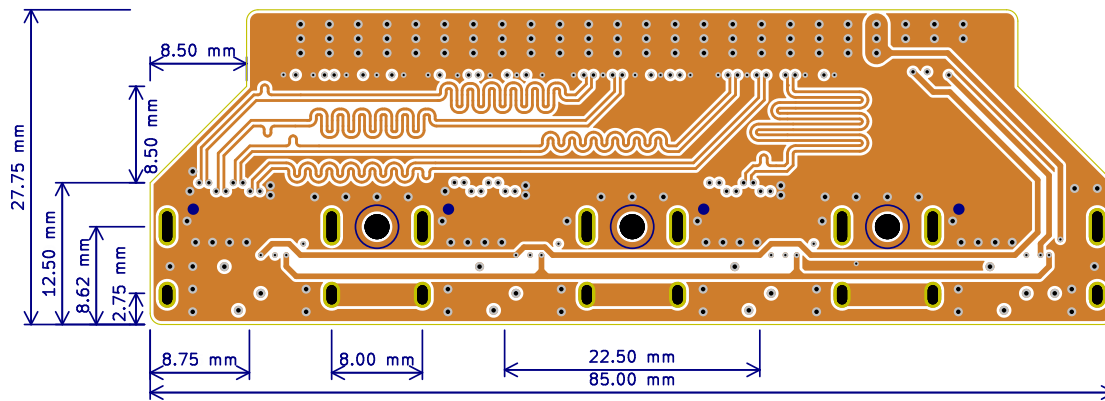
Date: 2023-12-13T20:45:55+00:00

VCS: Git <0fb8bf2ac3a5df24ce1a95ceb897c83363ac744d>

Rev: 0fb8bf2-dirty

KiCad E.D.A. 7.0.9-7.0.9-ubuntu23.04.1 + KiBot v1.6.3

Id: 5/9



Sheet: \${SHEETPATH}
 File: breakout_hdmi.kicad_pcb

Title:

Size: A5

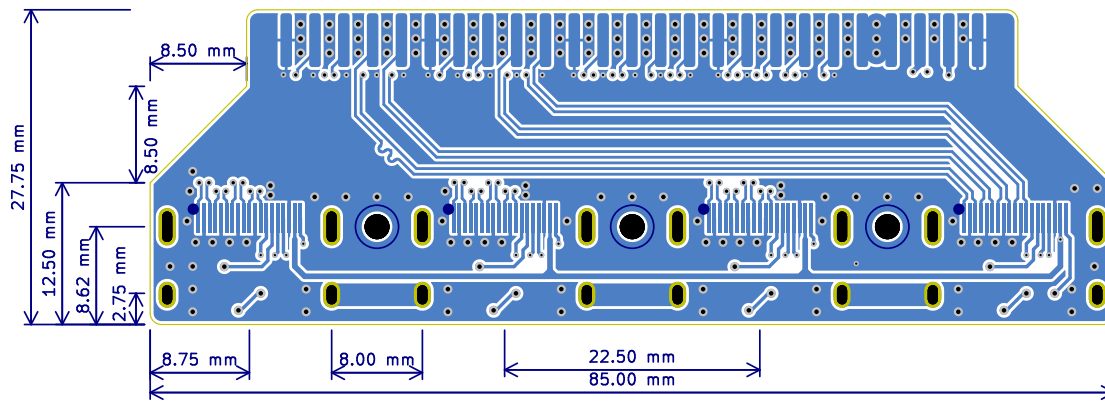
Date: 2023-12-13T20:45:55+00:00

VCS: Git <0fb8bf2ac3a5df24ce1a95ceb897c83363ac744d>

Rev: 0fb8bf2-dirty

KiCad E.D.A. 7.0.9-7.0.9-ubuntu23.04.1 + KiBot v1.6.3

Id: 6/9



Sheet: \${SHEETPATH}
 File: breakout_hdmi.kicad_pcb

Title:

Size: A5

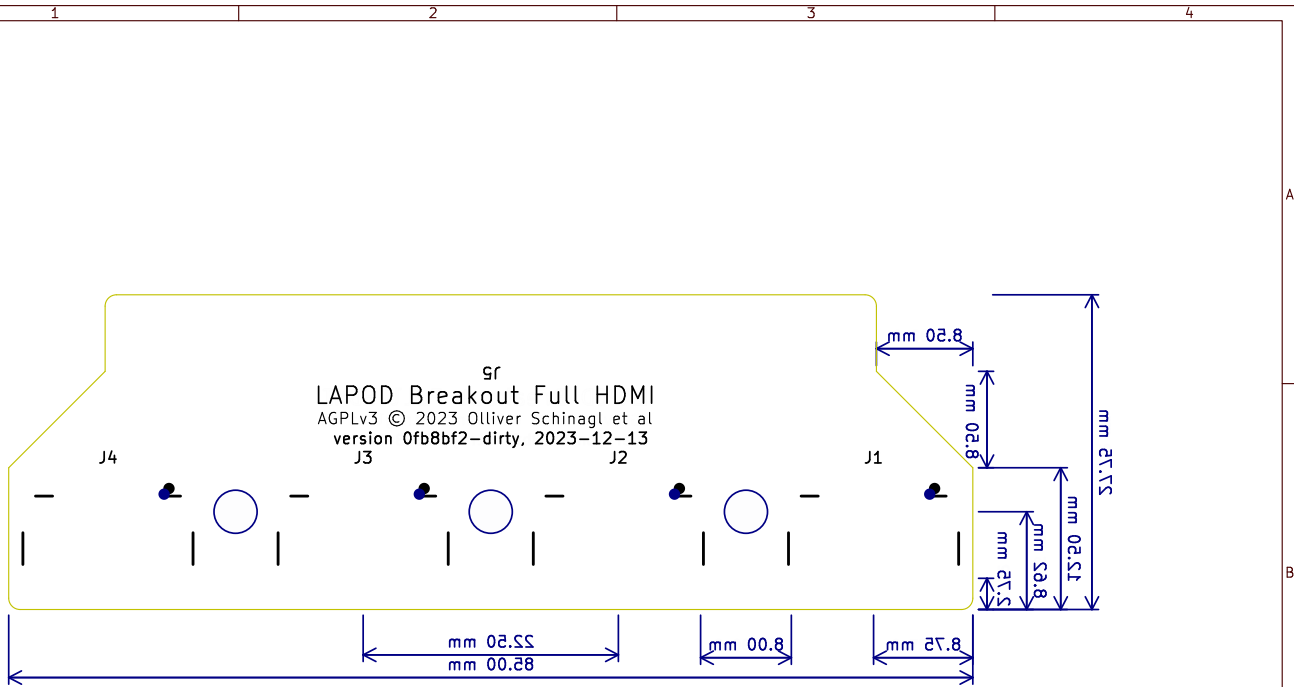
Date: 2023-12-13T20:45:55+00:00

VCS: Git <0fb8bf2ac3a5df24ce1a95ceb897c83363ac744d>

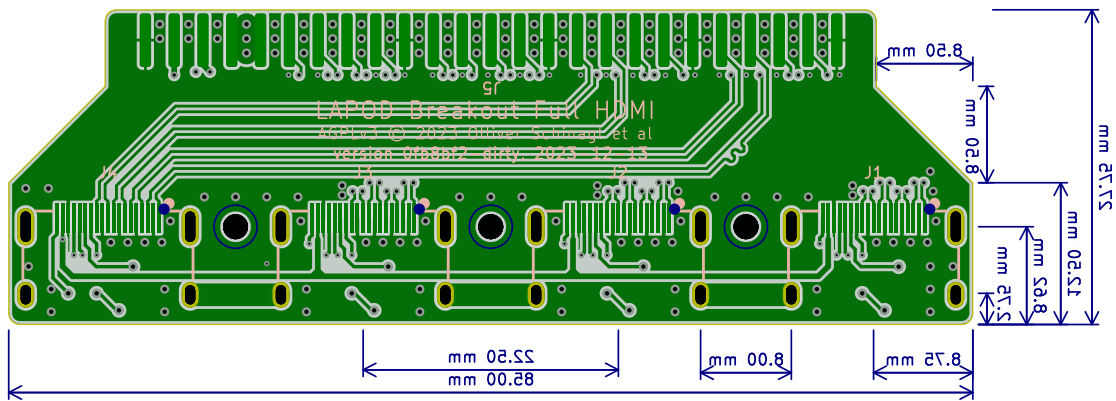
Rev: 0fb8bf2-dirty

KiCad E.D.A. 7.0.9-7.0.9-ubuntu23.04.1 + KiBot v1.6.3

Id: 7/9



Sheet: \${SHEETPATH}	
File: breakout_hdmi.kicad_pcb	
Title:	
Size: A5	Date: 2023-12-13T20:45:55+00:00
VCS: Git <0fb8bf2ac3a5df24ce1a95ceb897c83363ac744d>	Rev: 0fb8bf2-dirty
KiCad E.D.A. 7.0.9-7.0.9-ubuntu23.04.1 + KiBot v1.6.3	Id: 8/9



Sheet: \${SHEETPATH}
 File: breakout_hdmi.kicad_pcb

Title:

Size: A5 Date: 2023-12-13T20:45:55+00:00

VCS: Git <0fb8bf2ac3a5df24ce1a95ceb897c83363ac744d>

Rev: 0fb8bf2-dirty

KiCad E.D.A. 7.0.9-7.0.9-ubuntu23.04.1 + KiBot v1.6.3

Id: 9/9