

E Stepper

Z Stepper

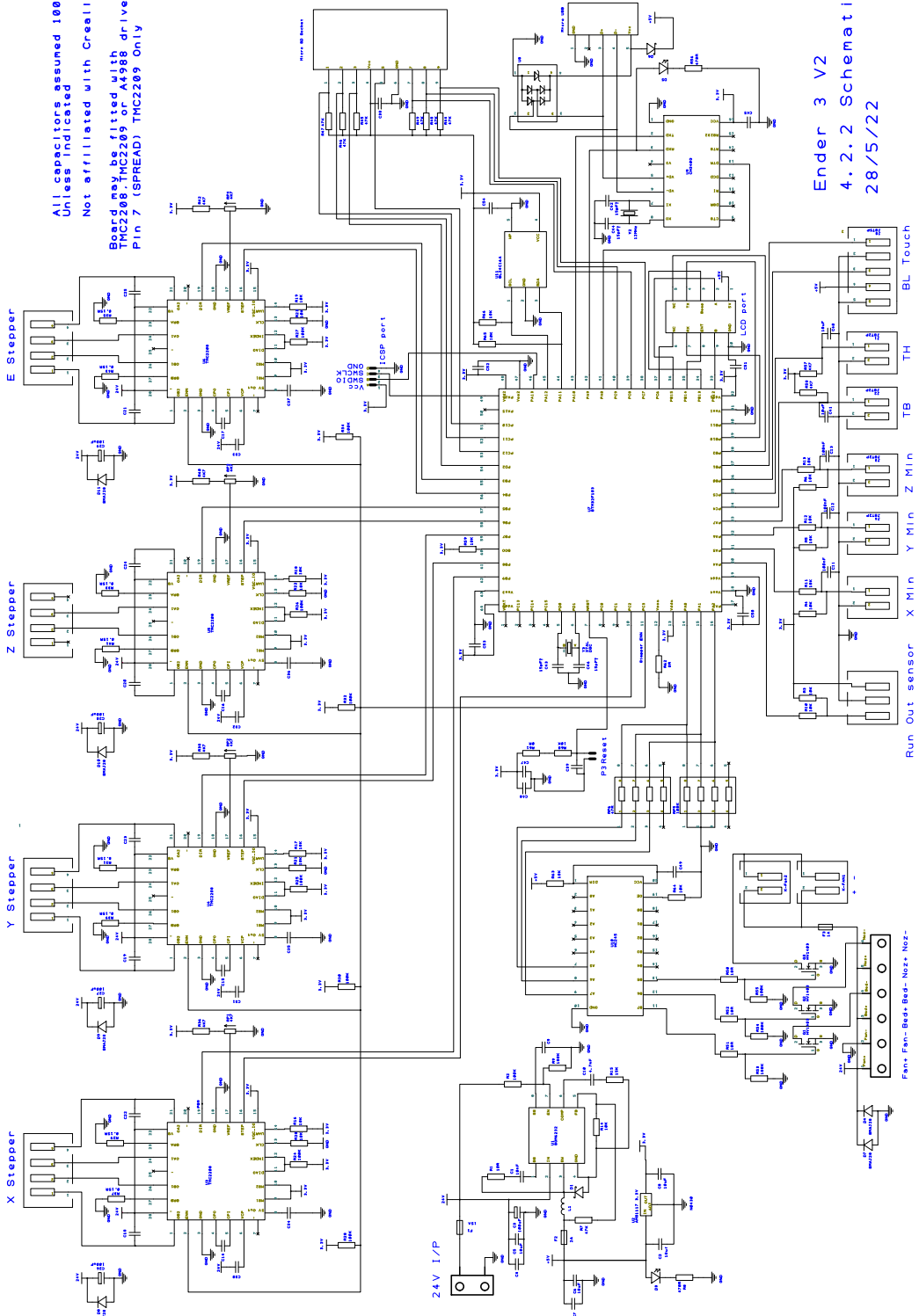
Y Stepper

X Stepper

All capacitors assumed 100nF
Unless indicated

Not affiliated with Creativity

Board may be fitted with
TMC2208, TMC2209 or A4988 drivers
Pin 7 (SPREAD) TMC2209 Only



Ender 3 V2
4.2.2 Schematic
28/5/22

Fan+ Fan- Bed+ Bed- Noz+ Noz-
Run Out sensor X Min Y Min Z Min TB TH BL Touch