



STANDARD CONTRACTUAL CLAUSES

Heather Powell

Processor to Processor

Coinbase

SECTION I

Owner

Clause 1

Purpose and scope

(a) The purpose of these standard contractual clauses is to ensure compliance with the requirements of Regulation (EU) 2016/679 of the European Parliament and of the Council of 27 April 2016 on the protection of natural persons with regard to the processing of personal data and on the free movement of such data (General Data Protection Regulation)¹ for the transfer of personal data to a third country.

(b) The Parties:



- (i) the natural or legal person(s), public authority/ies, agency/ies or other body/ies (hereinafter 'entity/ies') transferring the personal data, as listed in Annex I.A (hereinafter each 'data exporter'), and
- (ii) the entity/ies in a third country receiving the personal data from the data exporter, directly or indirectly via another entity also Party to these Clauses, as listed in Annex I.A (hereinafter each 'data importer')

have agreed to these standard contractual clauses, (hereinafter: 'Clauses').

Heather Powell

- (c) These Clauses apply with respect to the transfer of personal data as specified in Annex I.B.
- (d) The Appendix to these Clauses containing the Annexes referred to therein forms an integral part of these Clauses.

Clause 2

Effect and invariability of the Clauses

(a) These Clauses set out appropriate safeguards, including enforceable data subject rights and effective legal remedies, pursuant to Article 46(1) and Article 46(2)(c) of Regulation (EU) 2016/679 and, with respect to data transfers from controllers to processors and/or processors to processors, standard contractual clauses pursuant to Article 28(7) of Regulation (EU) 2016/679, provided they are not modified, except to select the appropriate Module(s) or to add or update information in the Appendix. This does not prevent the Parties from including the standard contractual clauses laid down in these Clauses in a wider contract and/or to add other clauses or additional safeguards, provided that they do not contradict, directly or indirectly, these Clauses or prejudice the fundamental rights or freedoms of data subjects.

¹ Where the data exporter is a processor subject to Regulation (EU) 2016/679 acting on behalf of a Union institution or body as controller, reliance on these Clauses when engaging another processor (sub-processing) not subject to Regulation (EU) 2016/679 also ensures compliance with Article 29(4) of Regulation (EU) 2018/1725 of the European Parliament and of the Council of 23 October 2018 on the protection of natural persons with regard to the processing of personal data by the Union institutions, bodies, offices and agencies and on the free movement of such data, and repealing Regulation (EC) No 45/2001 and Decision No 1247/2002/EC (OJ L 295, 21.11.2018, p. 39), to the extent these Clauses and the data protection obligations as set out in the contract or other legal act between the controller and the processor pursuant to Article 29(3) of Regulation (EU) 2018/1725 are aligned. This will in particular be the case where the controller and processor rely on the standard contractual clauses included in Decision 2021/915.

DocuSigned by:

513F8B9329374DE...

Heather Powell

5/6/2022

DocuSigned by:

25ECEEE5EED8D4DD...

- (b) These Clauses are without prejudice to obligations to which the data exporter is subject by virtue of Regulation (EU) 2016/679.

Clause 3

Third-party beneficiaries

- (a) Data subjects may invoke and enforce these Clauses, as third-party beneficiaries, against the data exporter and/or data importer, with the following exceptions:
- (i) Clause 1, Clause 2, Clause 3, Clause 6, Clause 7;
 - (ii) Clause 8 – Clause 8.1(a), (c) and (d) and Clause 8.9(a), (c), (d), (e), (f) and (g);
 - (iii) Clause 9 – Clause 9(a), (c), (d) and (e);
 - (iv) Clause 12 – Clause 12(a), (d) and (f);
 - (v) Clause 13;
 - (vi) Clause 15.1(c), (d) and (e);
 - (vii) Clause 16(e);
 - (viii) Clause 18 – Clause 18(a) and (b).
- (b) Paragraph (a) is without prejudice to rights of data subjects under Regulation (EU) 2016/679.

Clause 4

Interpretation

- (a) Where these Clauses use terms that are defined in Regulation (EU) 2016/679, those terms shall have the same meaning as in that Regulation.
- (b) These Clauses shall be read and interpreted in the light of the provisions of Regulation (EU) 2016/679.
- (c) These Clauses shall not be interpreted in a way that conflicts with rights and obligations provided for in Regulation (EU) 2016/679.

Clause 5

Hierarchy

In the event of a contradiction between these Clauses and the provisions of related agreements between the Parties, existing at the time these Clauses are agreed or entered into thereafter, these Clauses shall prevail.

Clause 6

Description of the transfer(s)

The details of the transfer(s), and in particular the categories of personal data that are transferred and the purpose(s) for which they are transferred, are specified in Annex I.B.

Clause 7

Docking clause

- (a) An entity that is not a Party to these Clauses may, with the agreement of the Parties, accede to these Clauses at any time, either as a data exporter or as a data importer, by completing the Appendix and signing Annex I.A.
- (b) Once it has completed the Appendix and signed Annex I.A, the acceding entity shall become a Party to these Clauses and have the rights and obligations of a data exporter or data importer in accordance with its designation in Annex I.A.
- (c) The acceding entity shall have no rights or obligations arising under these Clauses from the period prior to becoming a Party.

SECTION II – OBLIGATIONS OF THE PARTIES

Clause 8

Data protection safeguards

The data exporter warrants that it has used reasonable efforts to determine that the data importer is able, through the implementation of appropriate technical and organisational measures, to satisfy its obligations under these Clauses.

8.1 Instructions

- (a) The data exporter has informed the data importer that it acts as processor under the instructions of its controller(s), which the data exporter shall make available to the data importer prior to processing.
- (b) The data importer shall process the personal data only on documented instructions from the controller, as communicated to the data importer by the data exporter, and any additional documented instructions from the data exporter. Such additional instructions shall not conflict with the instructions from the controller. The controller or data exporter may give further documented instructions regarding the data processing throughout the duration of the contract.
- (c) The data importer shall immediately inform the data exporter if it is unable to follow those instructions. Where the data importer is unable to follow the instructions from the controller, the data exporter shall immediately notify the controller.
- (d) The data exporter warrants that it has imposed the same data protection obligations on the data importer as set out in the contract or other legal act under Union or Member State law between the controller and the data exporter².

8.2 Purpose limitation

The data importer shall process the personal data only for the specific purpose(s) of the transfer, as set out in Annex I. B., unless on further instructions from the controller, as communicated to the data importer by the data exporter, or from the data exporter.

8.3 Transparency

² See Article 28(4) of Regulation (EU) 2016/679 and, where the controller is an EU institution or body, Article 29(4) of Regulation (EU) 2018/1725.

On request, the data exporter shall make a copy of these Clauses, including the Appendix as completed by the Parties, available to the data subject free of charge. To the extent necessary to protect business secrets or other confidential information, including personal data, the data exporter may redact part of the text of the Appendix prior to sharing a copy, but shall provide a meaningful summary where the data subject would otherwise not be able to understand its content or exercise his/her rights. On request, the Parties shall provide the data subject with the reasons for the redactions, to the extent possible without revealing the redacted information.



8.4 Accuracy

Text

If the data importer becomes aware that the personal data it has received is inaccurate, or has become outdated, it shall inform the data exporter without undue delay. In this case, the data importer shall cooperate with the data exporter to rectify or erase the data.

8.5 Duration of processing and erasure or return of data

Processing by the data importer shall only take place for the duration specified in Annex I.B. After the end of the provision of the processing services, the data importer shall, at the choice of the data exporter, delete all personal data processed on behalf of the controller and certify to the data exporter that it has done so, or return to the data exporter all personal data processed on its behalf and delete existing copies. Until the data is deleted or returned, the data importer shall continue to ensure compliance with these Clauses. In case of local laws applicable to the data importer that prohibit return or deletion of the personal data, the data importer warrants that it will continue to ensure compliance with these Clauses and will only process it to the extent and for as long as required under that local law. This is without prejudice to Clause 14, in particular the requirement for the data importer under Clause 14(e) to notify the data exporter throughout the duration of the contract if it has reason to believe that it is or has become subject to laws or practices not in line with the requirements under Clause 14(a).

8.6 Security of processing

- (a) The data importer and, during transmission, also the data exporter shall implement appropriate technical and organisational measures to ensure the security of the data, including protection against a breach of security leading to accidental or unlawful destruction, loss, alteration, unauthorised disclosure or access to that data (hereinafter 'personal data breach'). In assessing the appropriate level of security, they shall take due account of the state of the art, the costs of implementation, the nature, scope, context and purpose(s) of processing and the risks involved in the processing for the data subject. The Parties shall in particular consider having recourse to encryption or pseudonymisation, including during transmission, where the purpose of processing can be fulfilled in that manner. In case of pseudonymisation, the additional information for attributing the personal data to a specific data subject shall, where possible, remain under the exclusive control of the data exporter or the controller. In complying with its obligations under this paragraph, the data importer shall at least implement the technical and organisational measures specified in Annex II. The data importer shall carry out regular checks to ensure that these measures continue to provide an appropriate level of security.
- (b) The data importer shall grant access to the data to members of its personnel only to the extent strictly necessary for the implementation, management and monitoring of the contract. It shall ensure that persons authorised to process the personal data have committed themselves to confidentiality or are under an appropriate statutory obligation of confidentiality.
- (c) In the event of a personal data breach concerning personal data processed by the data importer under these Clauses, the data importer shall take appropriate measures to address the breach, including measures to mitigate its adverse effects. The data importer shall also notify, without undue delay, the data exporter and, where appropriate and feasible, the controller after having

become aware of the breach. Such notification shall contain the details of a contact point where more information can be obtained, a description of the nature of the breach (including, where possible, categories and approximate number of data subjects and personal data records concerned), its likely consequences and the measures taken or proposed to address the data breach, including measures to mitigate its possible adverse effects. Where, and in so far as, it is not possible to provide all information at the same time, the initial notification shall contain the information then available and further information shall, as it becomes available, subsequently be provided without undue delay.

- (d) The data importer shall cooperate with and assist the data exporter to enable the data exporter to comply with its obligations under Regulation (EU) 2016/679, in particular to notify its controller so that the latter may in turn notify the competent supervisory authority and the affected data subjects, taking into account the nature of processing and the information available to the data importer.

8.7 Sensitive data

Where the transfer involves personal data revealing racial or ethnic origin, political opinions, religious or philosophical beliefs, or trade union membership, genetic data, or biometric data for the purpose of uniquely identifying a natural person, data concerning health or a person's sex life or sexual orientation, or data relating to criminal convictions and offences (hereinafter 'sensitive data'), the data importer shall apply the specific restrictions and/or additional safeguards set out in Annex I.B.

8.8 Onward transfers

The data importer shall only disclose the personal data to a third party on documented instructions from the controller, as communicated to the data importer by the data exporter. In addition, the data may only be disclosed to a third party located outside the European Union³ (in the same country as the data importer or in another third country, hereinafter 'onward transfer') if the third party is or agrees to be bound by these Clauses, under the appropriate Module, or if:

- (i) the onward transfer is to a country benefitting from an adequacy decision pursuant to Article 45 of Regulation (EU) 2016/679 that covers the onward transfer;
- (ii) the third party otherwise ensures appropriate safeguards pursuant to Articles 46 or 47 of Regulation (EU) 2016/679;
- (iii) the onward transfer is necessary for the establishment, exercise or defence of legal claims in the context of specific administrative, regulatory or judicial proceedings; or
- (iv) the onward transfer is necessary in order to protect the vital interests of the data subject or of another natural person.

Any onward transfer is subject to compliance by the data importer with all the other safeguards under these Clauses, in particular purpose limitation.

8.9 Documentation and compliance

³ The Agreement on the European Economic Area (EEA Agreement) provides for the extension of the European Union's internal market to the three EEA States Iceland, Liechtenstein and Norway. The Union data protection legislation, including Regulation (EU) 2016/679, is covered by the EEA Agreement and has been incorporated into Annex XI thereto. Therefore, any disclosure by the data importer to a third party located in the EEA does not qualify as an onward transfer for the purposes of these Clauses.

- (a) The data importer shall promptly and adequately deal with enquiries from the data exporter or the controller that relate to the processing under these Clauses.
- (b) The Parties shall be able to demonstrate compliance with these Clauses. In particular, the data importer shall keep appropriate documentation on the processing activities carried out on behalf of the controller.
- (c) The data importer shall make all information necessary to demonstrate compliance with the obligations set out in these Clauses available to the data exporter, which shall provide it to the controller.
- (d) The data importer shall allow for and contribute to audits by the data exporter of the processing activities covered by these Clauses, at reasonable intervals or if there are indications of non-compliance. The same shall apply where the data exporter requests an audit on instructions of the controller. In deciding on an audit, the data exporter may take into account relevant certifications held by the data importer.
- (e) Where the audit is carried out on the instructions of the controller, the data exporter shall make the results available to the controller.
- (f) The data exporter may choose to conduct the audit by itself or mandate an independent auditor. Audits may include inspections at the premises or physical facilities of the data importer and shall, where appropriate, be carried out with reasonable notice.
- (g) The Parties shall make the information referred to in paragraphs (b) and (c), including the results of any audits, available to the competent supervisory authority on request.

Clause 9

Use of sub-processors

- (a) The data importer has the controller's general authorisation for the engagement of sub-processor(s) from an agreed list. The data importer shall specifically inform the controller in writing of any intended changes to that list through the addition or replacement of sub-processors at least 30 days in advance, thereby giving the controller sufficient time to be able to object to such changes prior to the engagement of the sub-processor(s). The data importer shall provide the controller with the information necessary to enable the controller to exercise its right to object. The data importer shall inform the data exporter of the engagement of the sub-processor(s).
- (b) Where the data importer engages a sub-processor to carry out specific processing activities (on behalf of the controller), it shall do so by way of a written contract that provides for, in substance, the same data protection obligations as those binding the data importer under these Clauses, including in terms of third-party beneficiary rights for data subjects.⁴ The Parties agree that, by complying with this Clause, the data importer fulfils its obligations under Clause 8.8. The data importer shall ensure that the sub-processor complies with the obligations to which the data importer is subject pursuant to these Clauses.
- (c) The data importer shall provide, at the data exporter's or controller's request, a copy of such a sub-processor agreement and any subsequent amendments. To the extent necessary to protect business secrets or other confidential information, including personal data, the data importer may redact the text of the agreement prior to sharing a copy.

⁴ This requirement may be satisfied by the sub-processor acceding to these Clauses under the appropriate Module, in accordance with Clause 7.

- (d) The data importer shall remain fully responsible to the data exporter for the performance of the sub-processor's obligations under its contract with the data importer. The data importer shall notify the data exporter of any failure by the sub-processor to fulfil its obligations under that contract.
- (e) The data importer shall agree a third-party beneficiary clause with the sub-processor whereby – in the event the data importer has factually disappeared, ceased to exist in law or has become insolvent – the data exporter shall have the right to terminate the sub-processor contract and to instruct the sub-processor to erase or return the personal data.

Clause 10

Data subject rights

- (a) The data importer shall promptly notify the data exporter and, where appropriate, the controller of any request it has received from a data subject, without responding to that request unless it has been authorised to do so by the controller.
- (b) The data importer shall assist, where appropriate in cooperation with the data exporter, the controller in fulfilling its obligations to respond to data subjects' requests for the exercise of their rights under Regulation (EU) 2016/679 or Regulation (EU) 2018/1725, as applicable. In this regard, the Parties shall set out in Annex II the appropriate technical and organisational measures, taking into account the nature of the processing, by which the assistance shall be provided, as well as the scope and the extent of the assistance required.
- (c) In fulfilling its obligations under paragraphs (a) and (b), the data importer shall comply with the instructions from the controller, as communicated by the data exporter.

Clause 11

Redress

- (a) The data importer shall inform data subjects in a transparent and easily accessible format, through individual notice or on its website, of a contact point authorised to handle complaints. It shall deal promptly with any complaints it receives from a data subject.
- (b) In case of a dispute between a data subject and one of the Parties as regards compliance with these Clauses, that Party shall use its best efforts to resolve the issue amicably in a timely fashion. The Parties shall keep each other informed about such disputes and, where appropriate, cooperate in resolving them.
- (c) Where the data subject invokes a third-party beneficiary right pursuant to Clause 3, the data importer shall accept the decision of the data subject to:
 - (i) lodge a complaint with the supervisory authority in the Member State of his/her habitual residence or place of work, or the competent supervisory authority pursuant to Clause 13;
 - (ii) refer the dispute to the competent courts within the meaning of Clause 18.
- (d) The Parties accept that the data subject may be represented by a not-for-profit body, organisation or association under the conditions set out in Article 80(1) of Regulation (EU) 2016/679.

- (e) The data importer shall abide by a decision that is binding under the applicable EU or Member State law.
- (f) The data importer agrees that the choice made by the data subject will not prejudice his/her substantive and procedural rights to seek remedies in accordance with applicable laws.

Clause 12

Liability

- (a) Each Party shall be liable to the other Party/ies for any damages it causes the other Party/ies by any breach of these Clauses.
- (b) The data importer shall be liable to the data subject, and the data subject shall be entitled to receive compensation, for any material or non-material damages the data importer or its sub-processor causes the data subject by breaching the third-party beneficiary rights under these Clauses.
- (c) Notwithstanding paragraph (b), the data exporter shall be liable to the data subject, and the data subject shall be entitled to receive compensation, for any material or non-material damages the data exporter or the data importer (or its sub-processor) causes the data subject by breaching the third-party beneficiary rights under these Clauses. This is without prejudice to the liability of the data exporter and, where the data exporter is a processor acting on behalf of a controller, to the liability of the controller under Regulation (EU) 2016/679 or Regulation (EU) 2018/1725, as applicable.
- (d) The Parties agree that if the data exporter is held liable under paragraph (c) for damages caused by the data importer (or its sub-processor), it shall be entitled to claim back from the data importer that part of the compensation corresponding to the data importer's responsibility for the damage.
- (e) Where more than one Party is responsible for any damage caused to the data subject as a result of a breach of these Clauses, all responsible Parties shall be jointly and severally liable and the data subject is entitled to bring an action in court against any of these Parties.
- (f) The Parties agree that if one Party is held liable under paragraph (e), it shall be entitled to claim back from the other Party/ies that part of the compensation corresponding to its/their responsibility for the damage.
- (g) The data importer may not invoke the conduct of a sub-processor to avoid its own liability.

Clause 13

Supervision

- (a) The supervisory authority with responsibility for ensuring compliance by the data exporter with Regulation (EU) 2016/679 as regards the data transfer, as indicated in Annex I.C, shall act as competent supervisory authority.
- (b) The data importer agrees to submit itself to the jurisdiction of and cooperate with the competent supervisory authority in any procedures aimed at ensuring compliance with these Clauses. In particular, the data importer agrees to respond to enquiries, submit to audits and comply with the measures adopted by the supervisory authority, including remedial and compensatory measures. It shall provide the supervisory authority with written confirmation that the necessary actions have been taken.

SECTION III – LOCAL LAWS AND OBLIGATIONS IN CASE OF ACCESS BY PUBLIC AUTHORITIES

Clause 14

Local laws and practices affecting compliance with the Clauses

- (a) The Parties warrant that they have no reason to believe that the laws and practices in the third country of destination applicable to the processing of the personal data by the data importer, including any requirements to disclose personal data or measures authorising access by public authorities, prevent the data importer from fulfilling its obligations under these Clauses. This is based on the understanding that laws and practices that respect the essence of the fundamental rights and freedoms and do not exceed what is necessary and proportionate in a democratic society to safeguard one of the objectives listed in Article 23(1) of Regulation (EU) 2016/679, are not in contradiction with these Clauses.
- (b) The Parties declare that in providing the warranty in paragraph (a), they have taken due account in particular of the following elements:
 - (i) the specific circumstances of the transfer, including the length of the processing chain, the number of actors involved and the transmission channels used; intended onward transfers; the type of recipient; the purpose of processing; the categories and format of the transferred personal data; the economic sector in which the transfer occurs; the storage location of the data transferred;
 - (ii) the laws and practices of the third country of destination– including those requiring the disclosure of data to public authorities or authorising access by such authorities – relevant in light of the specific circumstances of the transfer, and the applicable limitations and safeguards⁵;
 - (iii) any relevant contractual, technical or organisational safeguards put in place to supplement the safeguards under these Clauses, including measures applied during transmission and to the processing of the personal data in the country of destination.
- (c) The data importer warrants that, in carrying out the assessment under paragraph (b), it has made its best efforts to provide the data exporter with relevant information and agrees that it will continue to cooperate with the data exporter in ensuring compliance with these Clauses.
- (d) The Parties agree to document the assessment under paragraph (b) and make it available to the competent supervisory authority on request.
- (e) The data importer agrees to notify the data exporter promptly if, after having agreed to these Clauses and for the duration of the contract, it has reason to believe that it is or has become subject to laws or practices not in line with the requirements under paragraph (a), including following a change in

⁵ As regards the impact of such laws and practices on compliance with these Clauses, different elements may be considered as part of an overall assessment. Such elements may include relevant and documented practical experience with prior instances of requests for disclosure from public authorities, or the absence of such requests, covering a sufficiently representative time-frame. This refers in particular to internal records or other documentation, drawn up on a continuous basis in accordance with due diligence and certified at senior management level, provided that this information can be lawfully shared with third parties. Where this practical experience is relied upon to conclude that the data importer will not be prevented from complying with these Clauses, it needs to be supported by other relevant, objective elements, and it is for the Parties to consider carefully whether these elements together carry sufficient weight, in terms of their reliability and representativeness, to support this conclusion. In particular, the Parties have to take into account whether their practical experience is corroborated and not contradicted by publicly available or otherwise accessible, reliable information on the existence or absence of requests within the same sector and/or the application of the law in practice, such as case law and reports by independent oversight bodies.

the laws of the third country or a measure (such as a disclosure request) indicating an application of such laws in practice that is not in line with the requirements in paragraph (a). The data exporter shall forward the notification to the controller.

- (f) Following a notification pursuant to paragraph (e), or if the data exporter otherwise has reason to believe that the data importer can no longer fulfil its obligations under these Clauses, the data exporter shall promptly identify appropriate measures (e.g. technical or organisational measures to ensure security and confidentiality) to be adopted by the data exporter and/or data importer to address the situation, if appropriate in consultation with the controller. The data exporter shall suspend the data transfer if it considers that no appropriate safeguards for such transfer can be ensured, or if instructed by the controller or the competent supervisory authority to do so. In this case, the data exporter shall be entitled to terminate the contract, insofar as it concerns the processing of personal data under these Clauses. If the contract involves more than two Parties, the data exporter may exercise this right to termination only with respect to the relevant Party, unless the Parties have agreed otherwise. Where the contract is terminated pursuant to this Clause, Clause 16(d) and (e) shall apply.

Clause 15

Obligations of the data importer in case of access by public authorities

15.1 Notification

- (a) The data importer agrees to notify the data exporter⁶ and, where possible, the data subject promptly (if necessary with the help of the data exporter) if it:
- (i) receives a legally binding request from a public authority, including judicial authorities, under the laws of the country of destination for the disclosure of personal data transferred pursuant to these Clauses; such notification shall include information about the personal data requested, the requesting authority, the legal basis for the request and the response provided; or
 - (ii) becomes aware of any direct access by public authorities to personal data transferred pursuant to these Clauses in accordance with the laws of the country of destination; such notification shall include all information available to the importer.

The data exporter shall forward the notification to the controller.

- (b) If the data importer is prohibited from notifying the data exporter and/or the data subject under the laws of the country of destination, the data importer agrees to use its best efforts to obtain a waiver of the prohibition, with a view to communicating as much information as possible, as soon as possible. The data importer agrees to document its best efforts in order to be able to demonstrate them on request of the data exporter.
- (c) Where permissible under the laws of the country of destination, the data importer agrees to provide the data exporter, at regular intervals for the duration of the contract, with as much relevant information as possible on the requests received (in particular, number of requests, type of data requested, requesting authority/ies, whether requests have been challenged and the outcome of such challenges, etc.). The data exporter shall forward the information to the controller.

⁶ The data importer will promptly notify the Data Exporter in writing to dpo@apple.com

- (d) The data importer agrees to preserve the information pursuant to paragraphs (a) to (c) for the duration of the contract and make it available to the competent supervisory authority on request.
- (e) Paragraphs (a) to (c) are without prejudice to the obligation of the data importer pursuant to Clause 14(e) and Clause 16 to inform the data exporter promptly where it is unable to comply with these Clauses.

15.2 Review of legality and data minimisation

- (a) The data importer agrees to review the legality of the request for disclosure, in particular whether it remains within the powers granted to the requesting public authority, and to challenge the request if, after careful assessment, it concludes that there are reasonable grounds to consider that the request is unlawful under the laws of the country of destination, applicable obligations under international law and principles of international comity. The data importer shall, under the same conditions, pursue possibilities of appeal. When challenging a request, the data importer shall seek interim measures with a view to suspending the effects of the request until the competent judicial authority has decided on its merits. It shall not disclose the personal data requested until required to do so under the applicable procedural rules. These requirements are without prejudice to the obligations of the data importer under Clause 14(e).
- (b) The data importer agrees to document its legal assessment and any challenge to the request for disclosure and, to the extent permissible under the laws of the country of destination, make the documentation available to the data exporter. It shall also make it available to the competent supervisory authority on request. The data exporter shall make the assessment available to the controller.
- (c) The data importer agrees to provide the minimum amount of information permissible when responding to a request for disclosure, based on a reasonable interpretation of the request.

SECTION IV – FINAL PROVISIONS

Clause 16

Non-compliance with the Clauses and termination

- (a) The data importer shall promptly inform the data exporter if it is unable to comply with these Clauses, for whatever reason.
- (b) In the event that the data importer is in breach of these Clauses or unable to comply with these Clauses, the data exporter shall suspend the transfer of personal data to the data importer until compliance is again ensured or the contract is terminated. This is without prejudice to Clause 14(f).
- (c) The data exporter shall be entitled to terminate the contract, insofar as it concerns the processing of personal data under these Clauses, where:
 - (i) the data exporter has suspended the transfer of personal data to the data importer pursuant to paragraph (b) and compliance with these Clauses is not restored within a reasonable time and in any event within one month of suspension;
 - (ii) the data importer is in substantial or persistent breach of these Clauses; or
 - (iii) the data importer fails to comply with a binding decision of a competent court or supervisory authority regarding its obligations under these Clauses.

In these cases, it shall inform the competent supervisory authority and the controller of such non-compliance. Where the contract involves more than two Parties, the data exporter may exercise this right to termination only with respect to the relevant Party, unless the Parties have agreed otherwise.

- (d) Personal data that has been transferred prior to the termination of the contract pursuant to paragraph (c) shall at the choice of the data exporter immediately be returned to the data exporter or deleted in its entirety. The same shall apply to any copies of the data. The data importer shall certify the deletion of the data to the data exporter. Until the data is deleted or returned, the data importer shall continue to ensure compliance with these Clauses. In case of local laws applicable to the data importer that prohibit the return or deletion of the transferred personal data, the data importer warrants that it will continue to ensure compliance with these Clauses and will only process the data to the extent and for as long as required under that local law.
- (e) Either Party may revoke its agreement to be bound by these Clauses where (i) the European Commission adopts a decision pursuant to Article 45(3) of Regulation (EU) 2016/679 that covers the transfer of personal data to which these Clauses apply; or (ii) Regulation (EU) 2016/679 becomes part of the legal framework of the country to which the personal data is transferred. This is without prejudice to other obligations applying to the processing in question under Regulation (EU) 2016/679.

Clause 17

Governing law

These Clauses shall be governed by the law of one of the EU Member States, provided such law allows for third- party beneficiary rights. The Parties agree that this shall be the law of the country where the data exporter is established.

Clause 18

Choice of forum and jurisdiction

- (a) Any dispute arising from these Clauses shall be resolved by the courts of an EU Member State.
- (b) The Parties agree that those shall be the courts of the country where the data exporter is established.
- (c) A data subject may also bring legal proceedings against the data exporter and/or data importer before the courts of the Member State in which he/she has his/her habitual residence.
- (d) The Parties agree to submit themselves to the jurisdiction of such courts.

APPENDIX

Explanatory Note:

It must be possible to clearly distinguish the information applicable to each transfer or category of transfers and, in this regard, to determine the respective role(s) of the Parties as data exporter(s) and/or data importer(s). This does not necessarily require completing and signing separate appendices for each transfer/category of transfers and/or contractual relationship, where this transparency can be achieved through one appendix. However, where necessary to ensure sufficient clarity, separate appendices should be used.

ANNEX I

A. LIST OF PARTIES

Data exporter(s):

1. Name: Apple Distribution International Limited

Address: Hollyhill Industrial Estate, Hollyhill, Cork, Ireland

Contact person's name, position and contact details: Gary Davis, Data Protection Officer, dpo@apple.com

Activities relevant to the data transferred under these Clauses: The Data Exporter provides information system and technology services under the Apple Business Manager Agreement ("Agreement") with the Controller.

Signature:



Date: 3 March 2022

Role: Director

Data importer(s):

1. Name: Apple Inc.

Address: One Apple Park Way, Cupertino, CA 95014, United States of America

Contact person's name, position and contact details: Jonas Herrell, Senior Privacy Counsel, penterprise@apple.com

Activities relevant to the data transferred under these Clauses: The Data Importer provides information system and technology services, for the performance of the Agreement between Controller and Data Exporter.

Signature:



Date: 11 March 2022

Role: Assistant Secretary

B. DESCRIPTION OF TRANSFER

Categories of data subjects whose personal data is transferred

Users of the Service as authorized by the Controller (including employees, contractors and other end users affiliated with the Controller)

Other individuals relating to the business of the Controller as stored by the Controller in the iCloud storage of Managed Apple IDs for business

Categories of personal data transferred

Personal data relating to individuals (authorized users) accessing the Service (such as account details, name, proposed role, email address, password, device information, Apple ID and phone number) that is gathered by or at the direction of the Controller

Personal data relating to the business of the Controller and as stored by the Controller in the iCloud storage of Managed Apple IDs for business (e. g. contacts, calendar notes, messages, photos, videos and other personal data which may be included in business related files stored by the Controller in the iCloud storage of Managed Apple IDs for business)

Sensitive data transferred (if applicable) and applied restrictions or safeguards that fully take into consideration the nature of the data and the risks involved, such as for instance strict purpose limitation, access restrictions (including access only for staff having followed specialised training), keeping a record of access to the data, restrictions for onward transfers or additional security measures.

Personal data relating to the business of the Controller and as stored by the Controller in the iCloud storage of Managed Apple IDs for business may include sensitive data. The measures and safeguards under Annex II will apply accordingly

The frequency of the transfer

Continuous basis

Nature of the processing

Personal data shall be processed in the context of the provision of information system and technology services as required for providing the Apple Business Manager and such processing shall include data warehousing, data processing and data mining, and other limited related services at the direction of the Controller

Purpose(s) of the data transfer and further processing

Provision of information system and technology services for the performance of the Agreement between Controller and Data Exporter.

The period for which the personal data will be retained, or, if that is not possible, the criteria used to determine that period

Personal data will be retained only for the duration of the Agreement between Controller and Exporter and will be deleted within a reasonable period of time after termination, except where as instructed by the Controller, or as otherwise necessary for compliance with applicable law

For transfers to (sub-) processors, also specify subject matter, nature and duration of the processing

See Annex III

C. COMPETENT SUPERVISORY AUTHORITY

Data Protection Commission (DPC) Ireland

ANNEX II

TECHNICAL AND ORGANISATIONAL MEASURES INCLUDING TECHNICAL AND ORGANISATIONAL MEASURES TO ENSURE THE SECURITY OF THE DATA

EXPLANATORY NOTE:

The technical and organisational measures must be described in specific (and not generic) terms. See also the general comment on the first page of the Appendix, in particular on the need to clearly indicate which measures apply to each transfer/set of transfers.

Description of the technical and organisational measures implemented by the data importer(s) (including any relevant certifications) to ensure an appropriate level of security, taking into account the nature, scope, context and purpose of the processing, and the risks for the rights and freedoms of natural persons.

Data Importer shall implement a comprehensive and current Personal Data protection and security program to ensure appropriate protection of the Personal Data against accidental or unlawful destruction or accidental loss, alteration, unauthorized disclosure or access, particularly where the processing involves the transmission of the Personal Data over a network, and against all other unlawful forms of processing. The Data Importer commits to use reasonable and appropriate administrative, physical, and technical safeguards including, but not limited to, appropriate network security and encryption technologies.

Data Importer hereby undertakes to use commercially reasonable efforts to:

- Prevent any unauthorised person from accessing the facilities used for data processing (monitoring of entry to facilities);
- Prevent data media from being read, copied, amended or moved by any unauthorised persons (monitoring of media);
- Prevent the unauthorised introduction of any data into the information system, as well as any unauthorized knowledge, amendment or deletion of the recorded data (monitoring of memory);
- Prevent data processing systems from being used by unauthorised persons using data transmission facilities (monitoring of usage);
- Ensure that authorised persons, when using an automated data processing system, may access only those data that are within their competence (monitoring of access);
- Ensure the checking and recording of the identity of third parties to whom the data can be transmitted by transmission facilities (monitoring of transmission);
- Ensure that the identity of all persons who have or have had access to the information system and the data introduced into the system can be checked and recorded ex post facto, at any time and by relevant persons (monitoring of introduction);
- Prevent data from being read, copied, amended or Deleted in an unauthorised manner when data are disclosed and data media transported (monitoring of transport); and
- Safeguard data by creating backup copies (monitoring of availability);
- Deployment of strong modern cryptographic algorithms and ciphers employing robust integrity protection mechanisms and in accordance with industry standard for secure key and protocol negotiation and key management. The encryption algorithms and their parameterizations conform to the latest available standards, are robust against current

cryptoanalysis techniques and are implemented through properly maintained software. The Data Importer adopts multiple layers of protection for personal data where it is appropriate to do so including strong encryption of data-at-rest and in-transit and end-to-end encryption, where technically feasible in view of the purposes for which the Parties process personal data transferred under the Clauses;

- Effective supplementary measures to safeguard the data subjects' privacy against unlawful surveillance through a strict privacy governance program;
- Strict process for the handling of access and/or disclosure requests for personal data.

It is acknowledged that the foregoing technical and organisational measures are subject to technical progress, organisational changes, and other developments, and the Data Importer may implement adequate alternative measures if these measures do not derogate from the level of protection contractually agreed upon.

For transfers to (sub-) processors, also describe the specific technical and organisational measures to be taken by the (sub-) processor to be able to provide assistance to the controller and, for transfers from a processor to a sub-processor, to the data exporter

The technical and organisational measures described above apply to Data Importer and its officers, directors, agents, consultants, contractors, subcontractors, and employees ("*Data Exporter Personnel*").

Notification and Government Requests Handling Procedure:

In addition to the obligations of the Parties under the Clauses, the Parties have put in place a centralised global process for receiving, tracking, processing, and responding to legally binding requests from government authorities for access to personal data, including personal data transferred within Apple, in accordance with the following procedure:

- (1) **Legality Review:** In the event that the Data Importer receives a legally binding government request that compels disclosure of the personal data transferred under the Clauses, the Data Importer commits to reviewing the legality of the order to disclose personal data, under the laws of the country of destination.
- (2) **Challenges to orders to disclose personal data:** Following the Legality Review in (1), the Data Importer commits to use its best efforts to challenge the order for disclosure on the basis of any legal deficiencies under EU law or applicable Member State law, where it concludes that there are grounds under the laws of the country of destination to do so. To the maximum extent permitted by law in the country of destination, the Data Importer shall inform and seek the views of the Data Exporter in such cases.
- (3) **Notice to Affected Controller:** Upon notification of such a request from the Data Importer, the Data Exporter will notify the Controller when personal data transferred under the Clauses is sought in a legally valid law enforcement or government information request.
- (4) **Challenges to Notice prohibitions:** Where notice to the Controller is prohibited by the laws of the country of destination, the Data Importer commits to make reasonable efforts to waive the prohibition in order to allow the Data Exporter to promptly notify the Controller.
- (5) **Obligation Not to Disclose:** The Data Importer has the obligation not to disclose personal data further to an order legally compelling them to disclose data until required to do so under the applicable laws of the country of destination which compel this disclosure.

- (6) Commitment to Data Minimisation: The Data Importer commits to provide the minimum amount of information permissible when responding to an order to disclose data.

The Data Importer warrants that it has not created covert methods for bypassing access controls or alternative means of any nature that could be used by government authorities to obtain direct access to the personal data transferred under the Clauses. The Data Importer also certifies it has no reason to believe that national law or government policy requires the Data Importer to create or maintain covert methods for bypassing access controls or for the Data Importer to facilitate access to personal data or systems.

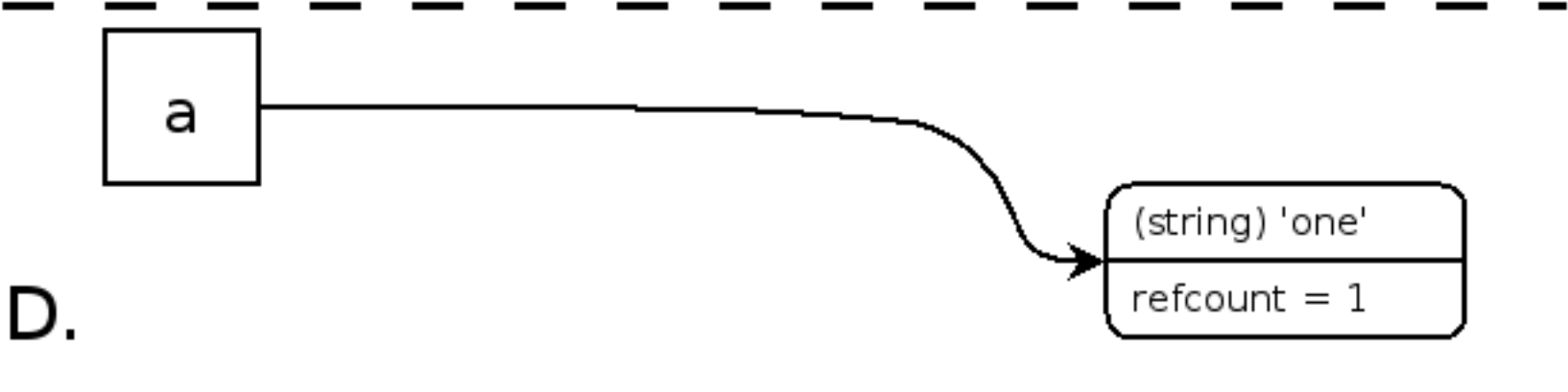
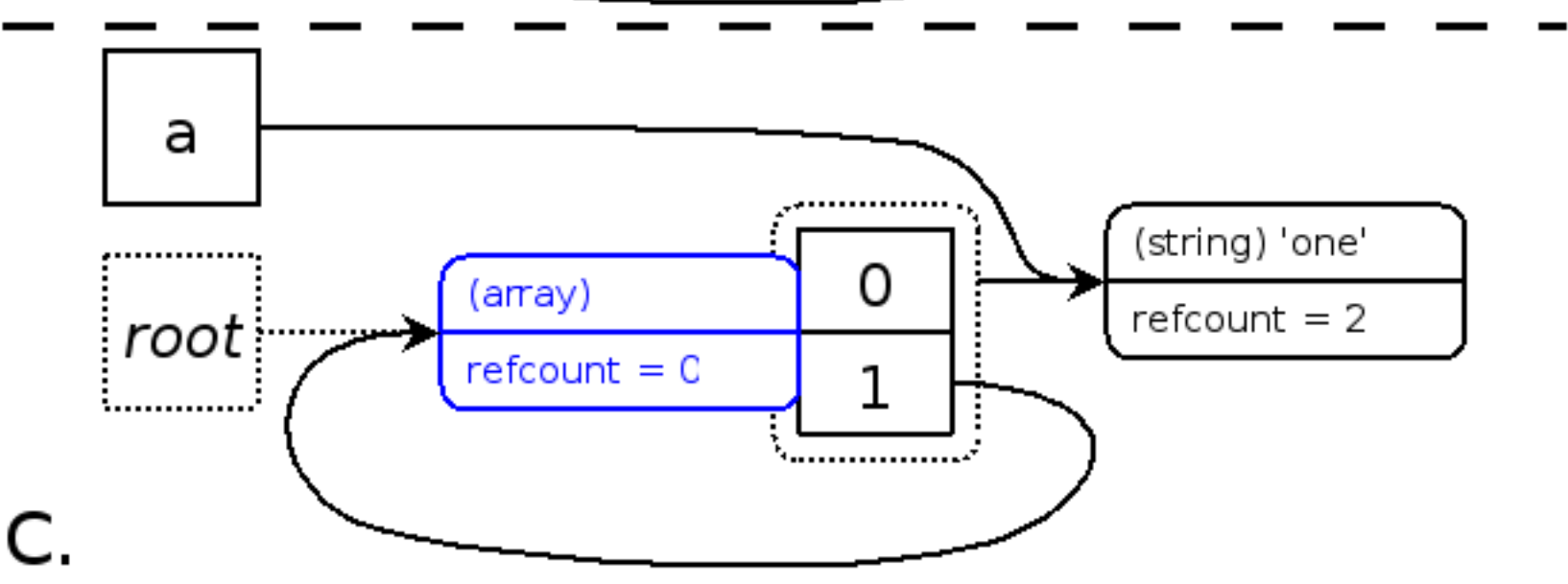
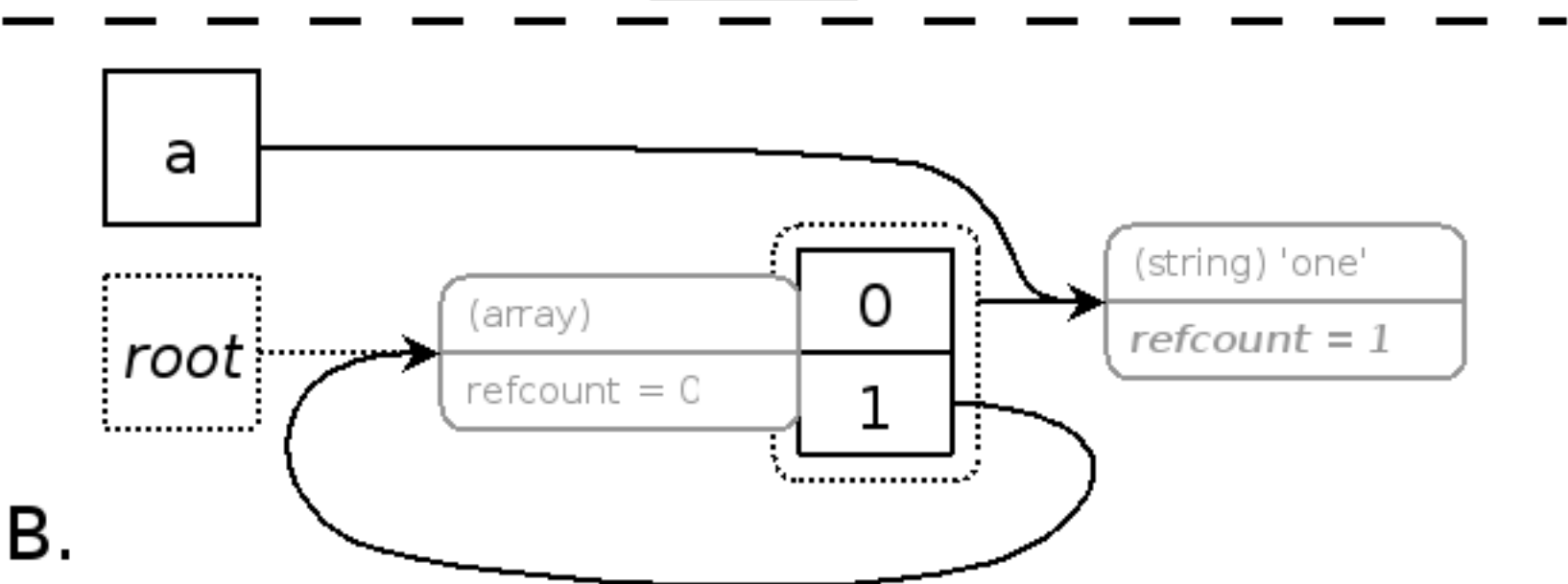
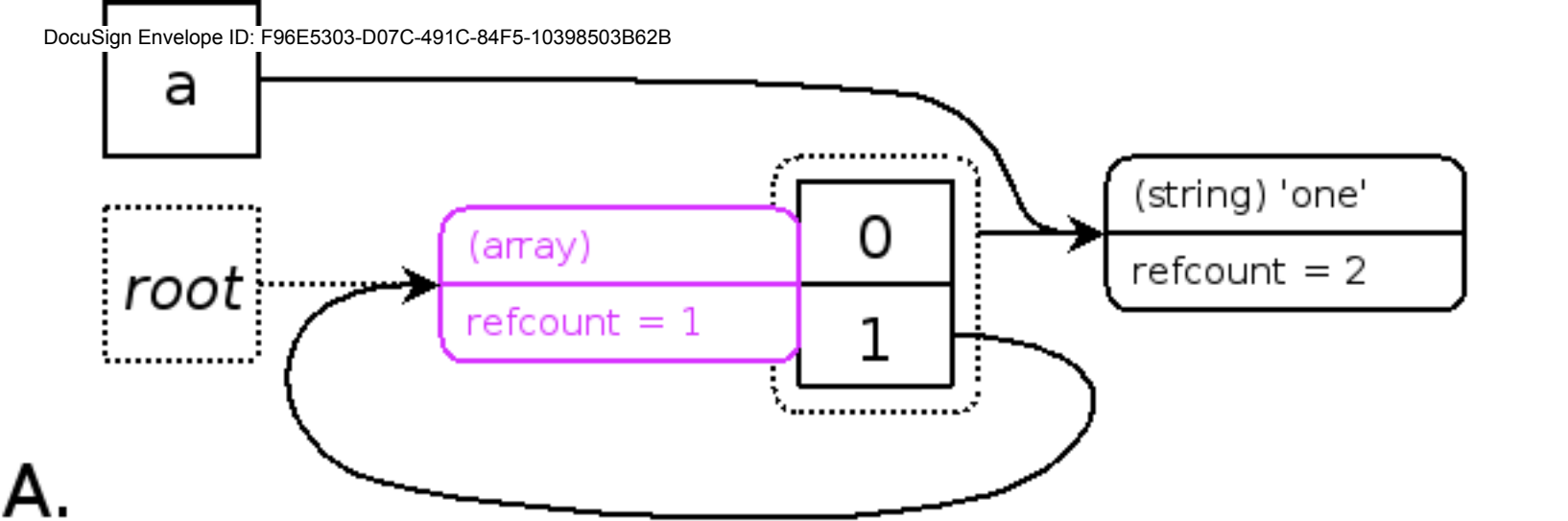
ANNEX III

LIST OF SUB-PROCESSORS

The Controller has authorised the use of the following sub-processors:

The list of sub-processors is available under:

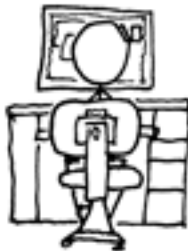
https://www.apple.com/legal/enterprise/data-transfer-agreements/subprocessors_us.pdf



I COULD RESTRUCTURE
THE PROGRAM'S FLOW
OR USE ONE LITTLE
'GOTO' INSTEAD.



EH, SCREW GOOD PRACTICE.
HOW BAD CAN IT BE?



YOUR SON'S SCHOOL.
WE'RE HAVING SOME
COMPUTER TROUBLE.



BREAK SOMETHING?
IN A WAY—



DID YOU REALLY
NAME YOUR SON
Robert'); DROP
TABLE Students;-- ?




OH, YES. LITTLE
BOBBY TABLES,
WE CALL HIM.

WELL, WE'VE LOST THIS
YEAR'S STUDENT RECORDS.
I HOPE YOU'RE HAPPY.



AND I HOPE
YOU'VE LEARNED
TO SANITIZE YOUR
DATABASE INPUTS.

You have chosen to open

 **monkey.gif**

which is a: GIF Image

from: <http://localhost>

What should Firefox do with this file?

Open with Firefox

Save File

Do this automatically for files like this from now on.

OK

Cancel

DocuSign Envelope ID:

----RwqBiF3H;SydrUm ----ET:keqt;qqv ----ef3lJ3Sx;WrXbGe----bFEwNCCi;LWMJft
----qT;mpak;zlr ----Zp;oabq;myp Hello pzfnt, Thank you for signing up for the PWGK!
Newsletter. Please visit this URL to verify and activate your subscription: bixbyok.gov If you
experience any problems, please contact hello@bixbyok.gov Thank You,
----zqzBrfwl;mTAQHd----67OvoTmV;xoapqM ----RHyrCLPN:wendfx
----YSeKovmv;SpKHmr----EDszBIsZ;ZTCOac ----jKJAbJRQ;JYMLBM----WnXS0wRb;QssPYJ
----GD;qwcb;eau Dear kebdkar, Thanks for reaching out. We will contact you shortly. In the
meanwhile, you may want to learn more about enterprise subscription management through our
blog articles. Explore our Blog bixbyok.gov bixbyok.gov
----byRf7swk;CzJQVd----65UB6ouR;vOonsA

Webmoney2021@outlook.com

[Here is your verification code :IX732GQH1356 for 7heatherpowell7@gmail.com](#)

778149

[You have requested a verification code to verify your account.](#)

[Please enter the verification code below on the page you requested.](#)

[This verification code will expire in 30 minutes.](#)

[The Team](#)

[© America Inc. All Rights Reserved.](#)

[If you have any questions please contact the Customer Support Center.](#)

[---Kk:gtwj:xmk](#)

[This is an archived section of the community.](#)

[Mardi 2 et Mercredi 3 février auront lieu les élections des représentants étudiants à l'université de Bourgogne.](#)

[ARTenko s'engage. et fait le choix de soutenir Associatifs Indépendants !](#)

[Company: Company](#)

[Les étudiants d'A&I sont issus d'associations étudiantes ce qui permet de cibler au mieux les problématiques de chaque filière. Ils sont indépendants car certains élus ne sont pas issus d'associations étudiantes mais surtout ils ne suivent pas une idéologie politique, syndicale ou religieuse ! Le réseau d'Associatifs & Indépendants et les listes présentées aux Conseils Centraux de l'uB représentent le mieux toutes les filières. L'histoire de l'art et archéologie aussi !](#)

[Street: Street](#)

[This change was done in an effort to make the forum easier to use and to keep only the most helpful and recent content active.](#)

[This change was done in an effort to make the forum easier to use and to keep only the most helpful and recent content active.](#)

[Last name: Last name](#)

[Chers étudiants, chères étudiantes.](#)

[PREPARE TO APPLY](#)

[Find out more about the application process, researching your destination, how much it will cost and more.](#)

GET READY TO GO

Congratulations on being accepted for Study Abroad! Now it's time to plan the details, like where you'll stay, organising your visa and applying for your student loan.

DURING YOUR STUDY ABROAD YEAR

Once you know you'll be studying abroad, you'll need to arrange accommodation, insurance, visas, proof of your finances and maybe some foreign language studies.

SUMMER SCHOOLS

Short programmes, usually through summer schools, are a great chance to experience study and life in another country.

RETURNING TO LEEDS

Welcome back! Here's some useful information to help you settle back into life in Leeds.

STUDY ABROAD HANDBOOKS AND DOCUMENTS

Handbooks, checklists, forms and information you will need before and during your study abroad.

GRADUATE STUDY ABROAD OPPORTUNITIES

If you're a Postgraduate researcher, there may be opportunities to study abroad during your time here.

Xfinity Forum Archive...

Chers Etudiants On vous souhaite une chaleureuse bienvenue sur le site internet de l'Institut Supérieur des Beaux Arts de Sousse Cet espace a pour but de vous donner un aperçu général des divers informations concernant les emplois des temps, les calendriers des examens, les cours, les inscriptions, l'orientation...

Thank you very much for your order. I hope you enjoy this yellow sundress. I see you're in southern California so you'll have many chances to use it. We're here if you need anything.

----c6xDUZh4;IDukYS----N7AnHNNm;IKUkmf ----FL;cyin;bqe

[Thanks for signing up to receive emails from the Children's Museum of Phoenix. Now you won't miss out on our special events, programs, discounts and so much more!](#)

[INSCRIPTIONS 2018-2019 Publié le 2 septembre 2018 par joel Bonjour. Le processus d'inscription se modernise, car nous avons mis en place cette année un site WEB vous permettant de réaliser cette opération depuis chez vous à partir du lien situé en bas de ce message. Cependant, si vous rencontrez des difficultés, des permanences sont mises en places au gymnase Henri Barbusse, tous les soirs de 17h00 à 19h00 pour vous aider en cas de besoin, pour faire votre inscription en ligne.](#)

[Madame, Monsieur,](#)

[Please remember to drop your regalia back to the regalia room at Claudelands.](#)

[Xfinity Forum Archive...](#)

[Also, make sure to bookmark \(Your Seller ID\) as a favorite seller.](#)

[Thank you again, it has been a pleasure doing business with you. If you have any questions, please contact me directly at \(your email address\).](#)

[This is an archived section of the community.](#)

[City: City](#)

[Your personal data Note: Your personal data listed below will only be used as shipping address and will not be stored in any database.](#)

[Your personal data Note: Your personal data listed below will only be used as shipping address and will not be stored in any database.](#)

[\(Your Seller ID\)](#)

[Ordered Publications in printed form publications](#)

[Bonjour Hugo nous n'envoyons plus de courriels car nous tenons à ce que les chauffeurs se connectent sur le site, regardent les noms des passagers et déclarent le départ complet. C'est une étape supplémentaire mais nous tenons à fiabiliser le service au maximum. Merci pour votre commentaire Myriam Agente AmigoExpress](#)

[Dear CUSTOMER NAME,](#)

[----RV6CreTy:byToKP----bGc6xQum:ysLBix Confirm Your Email Hey Smiles Davis. We received a request to set your HireClub email to bixbyok.gov. If this is correct, please confirm by clicking the button below. Confirm Email bixbyok.gov/xMCXstO5FalauVS Confirm your account Click the button below to confirm your Dauntless account.](#)

[Click here to confirm your account — or — You can manually confirm your account by pasting the following code into the empty field at bixbyok.gov Sehr geehrte Frau ayaml Herzlichen Dank für Ihr Interesse am Denner Newsletter! Bestätigen Sie Ihre Anmeldung bitte durch Anklicken dieses Links. Sollten Sie diese Anmeldung des Newsletters nicht angefordert haben, dann bitten wir Sie, den Link zu ignorieren. Sie werden dann in Zukunft keine weiteren E-Mails von uns erhalten. Freundliche Grüße Denner =====](#)

[Zipcode: Zipcode Thank for your order Previously ordered | Thank for your order Thank you - your order has been received. Your Graduation Coordinator will be in touch closer to graduation to let you know when and where to collect your regalia.](#)

[Télécharger notre Charte des bénévoles.](#)

[Post your questions in the Xfinity Community](#)

[Thank you for your order! Your order has been successfully transmitted.](#)

Ordered Publications in printed form publications

Dear (write in the buyer's ID or name).

Content in this area has been identified as outdated or irrelevant.

voir de plus :

Thank you for your eBay purchase! Once you receive your item, please remember to leave positive feedback! I will do the same for you in return.

So far, nothing has ever come from these "random" emails. Doesn't mean they won't someday. Bottom line, treat it as if it's real and call to get an explanation.

Merci

N'hésitez pas à solliciter les personnels pour de plus amples renseignements.

Zipcode: Zipcode Thank for your order Previously ordered | Thank for your order Thank you - your order has been received. Your Graduation Coordinator will be in touch closer to graduation to let you know when and where to collect your regalia.

For further any further enquires regarding your regalia hire please contact Alison from Academic Dress Hire

City: City

Voter Associatifs & Indépendants c'est voter pour l'intérêt de tous. L'objectif est de défendre et d'améliorer VOS conditions d'études. Vous pouvez retrouver le programme sur l'évènement ci-joint.

First name: First name

Thanks again, SIGNED YOUR NAME

Street: Street

OUVERTURE DES INSCRIPTIONS BÉNÉVOLES !!! Nous sommes toujours en recherche de nouveaux bénévoles, alors n'hésitez pas à vous inscrire, nous vous offrirons un t-shirt Chouette Nature, les subsistances, l'accès au bar et

un emplacement de tente, et l'occasion de vivre une expérience formidable, dans une très bonne ambiance!

---ef:ghnc:zby Best regards, Roel Mels Head of Global Marketing Bonjour cvutnqtt, Bienvenue sur la boutique bixbyok.gov ! Nous vous remercions pour votre inscription sur notre site et nous sommes heureux de partager avec vous nos aventures aromatiques ! Pour vous connecter lors de vos prochaines visites sur notre boutique en ligne, cliquez sur le lien Connexion ou Mon compte en haut de chaque page, puis saisissez votre email () et votre mot de passe. En vous connectant à votre compte, vous pourrez : – Passer vos commandes plus rapidement – Suivre l'évolution de vos commandes – Consulter vos anciennes commandes – Consulter vos points de fidélité et vos avantages – Donner votre avis sur nos produits ou nos recettes – Modifier les informations de votre compte – Modifier votre mot de passe – Enregistrer plusieurs adresses (afin de faire livrer vos cadeaux à vos proches et vos amis !) Votre satisfaction est au coeur de nos priorités. Notre service client est à votre écoute, pour toute question, rendez-vous sur notre page contact. Vous retrouverez également toutes les actualités de nos boutiques à Paris et en région ici ! Très belles découvertes à vous, Anne, Valérie et toute l'équipe Aroma-Zone ----hE:dhl;bjc Bonjour fvbgoi armtkw, ¡Gracias por suscribite! | Thanks for subscribing! | Merci pour votre subscription! Oui, inscris moi sur cette liste. Merci de l'intérêt que vous portez à notre contenu ! Cliquez sur le bouton pour confirmer votre inscription à la newsletter Easylgzsnp. Nous vous remercions de votre confiance, activation de compte sur Inscription-Facile

Votre compte a été créé, mais il doit encore être activé.

Thanks for asking. There's a "forgot password" link on the login screen in the app. (see image beside when login).

In addition to that, there are a couple other options on the web (but not in the app):

Please Reset Your Password For your security. we are strengthening our password requirements and as a result, your existing password has been disabled.

Please enter your email and click "Continue" below to send a password reset message to the email associated with your account. This email will contain a link to reset your password that will expire within 24 hours.

---Ew;mcmc;yse ---K0lfBBUq;Ysxmfn---P05QjKUr;BEjfEw You can manually confirm your account by pasting the following code into the empty field at bixbyok.gov Dear axsivxdq. To continue your application for ConsignO Cloud please confirm your email address. Confirm your email address. bixbyok.gov Border We respect your privacy and will not divulge your personal information to any third parties. Do not reply to this message. This return email address is not valid and you will not receive a response. ***** Confirm Your Email Hey Smiles Davis. We received a request to set your HireClub email to hello@bixbyok.gov. If this is correct, please confirm by clicking the button below. Confirm Email https://bixbyok.gov/hsC9CXGRFIKXPqx ---eV;cyhh;myi Voter Information

Confirm your email address Please click the button below to confirm your email address: Confirm Email : bixbyok.gov Once confirmed, this email will be uniquely associated with your myTeachable account. Cheers, The Teachable Team © 2019 Teachable™, P.O. Box 324, New York, NY 10159 Hi jpyt bjfg. Thanks for subscribing and going your own way! We promise to keep you up to date with the latest on everything mojk ICQ including news, tips and stories – everything you need delivered straight to your inbox. EXPERIENCE JIR! bixbyok.gov Thank you for joining the ZNILZ & VXGIG newsletter. We know life with horses can be non-stop, but now you can relax as everything you need to know from the equestrian world is sent directly to your inbox. If you can't wait until our next update, visit our website for the latest news, reports, features and much more. VISIT UYIOK & HCJCQ: bixbyok.gov Thank you for subscribing to EZGHV! We're excited to have you as part of our community. JEIQB covers all breeds and riding disciplines, and our main interest is providing important information about vyfbo in the most interesting and enjoyable way possible. == Thank you for your interest in Portland Center Stage at The Armory! To complete your subscription, click below. bixbyok.gov If you've changed your mind or received this in error, please disregard. You will not be added to our list unless you click the link. Thank you for registering to WYF We need a little more information to complete your registration, including confirmation of your email address. Click below to confirm your email address Verify Button not working? Copy and paste this link to your address bar bixbyok.gov This is an auto-generated email from bixbyok.gov in response to your recent bixbyok.gov account registration. Thank you for registering. Click here to activate your account. If you did not register for a bixbyok.gov account or feel you received this email in error, please contact Utility Customer Service at 850.891.4YOU (4968) Monday – Sunday from 7 a.m. – 11 p.m. or email us. Please click the green button to verify that this is your email address or enter your verification code into the page you were just on: click here to verify your email address OR enter your verification code: bixbyok.gov Welcome to Parchment! We are really happy to have you here. Thank you. The Parchment Team

---Sw;bvrq;rtb

Post your questions in the Xfinity Community

[RENDEZ-VOUS MARDI & MERCREDI \(muni de votre carte étudiante, salle Maurice Cozian autour du patio droit-lettres pour l'UFR Sciences Humaines\)](#)

[Last name: Last name](#)

[Afin de confirmer votre inscription et recevoir régulièrement nos informations, nous vous invitons à cliquer sur le lien ci-dessous :](#)

[Emplois du temps Formulaire Support de cours Activités extra-scolaire Services Pré-inscription master Résultats Téléchargement](#)

[Content in this area has been identified as outdated or irrelevant.](#)

[For further any further enquires regarding your regalia hire please contact Alison from Academic Dress Hire](#)

[Thank you for your order! Your order has been successfully transmitted.](#)

[Regards.](#)

[Nous avons reçu votre demande d'inscription à la newsletter.](#)

[First name: First name](#)

[La page n'existe pas La page que vous recherchez n'existe pas ou a été supprimée. Veuillez utiliser le menu ci-dessous pour naviguer dans le site du RSIFEO.](#)

[Pour annuler votre participation à un des stages, envoyer simplement un e-mail mentionnant le stage auquel vous vous désistez. Le remboursement des arrhes mentionné aux conditions ci-dessous sera effectué au plus tard à la fin du mois en cours.](#)

[Company: Company](#)

[Bonjour Hugo nous n'envoyons plus de courriels car nous tenons à ce que les chauffeurs se connectent sur le site, regardent les noms des passagers et déclarent le départ complet. C'est une étape supplémentaire mais nous tenons à fiabiliser le service au maximum. Merci pour votre commentaire Myriam Agente AmigoExpress](#)

[Dear Parents/Caregivers of prospective students RE: 2022 Manurewa Intermediate School Enrolments Next year your child will attend intermediate and this pack holds a lot of information that is very important and relevant to the process of enrolling and what it is we have to offer your child. I encourage you to go through the pack and get your child's enrolment underway as soon as possible. In this pack you will find the following: • The School Prospectus • General Information Booklet • Official School Enrolment Form and other forms to complete and return: Student Health Record; Cyber safety Use Agreement; Iosis Social Workers In Schools Consent Form; Mana Health Clinic; Dental Permission. • The following individual inserts: 2022 Enrolment Timeline \(which details all relevant information regarding the in-zone and out-of-zone enrolment processes\); Uniform Standards Information Sheet \(and Uniform Eliers from the stockists\). MI Whanau Day invitation flier](#)



Get started with Microsoft OneDrive

Save your files to OneDrive to keep them protected,
backed up, and accessible from all your devices, anywhere.





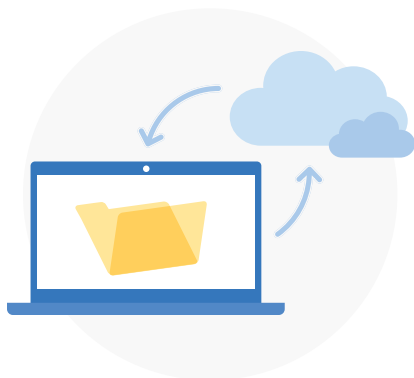
Anywhere access

With [OneDrive.com](https://www.onedrive.com) and the [OneDrive mobile app](#) you can create, access and edit your files from all your devices, virtually anywhere you happen to be.

Cloud storage

OneDrive provides one secured place for your files and photos. Start with 5 GB of free storage or upgrade to Microsoft 365 for 1 TB.

[Learn how to upload files](#)



PC folder backup

Turn on PC folder backup to automatically back up and sync your Desktop, Documents, and Pictures folders to OneDrive.

[How to set up PC folder backup](#)



Office integration

OneDrive works seamlessly with [Office for the web](#). Use Word, PowerPoint, and Excel for free to easily create, edit, and share files.

[Learn how to use Office for the web](#)

Share and collaborate

Share documents, folders, and photos with anyone. They don't need an account to view, edit or collaborate in real-time on the file.

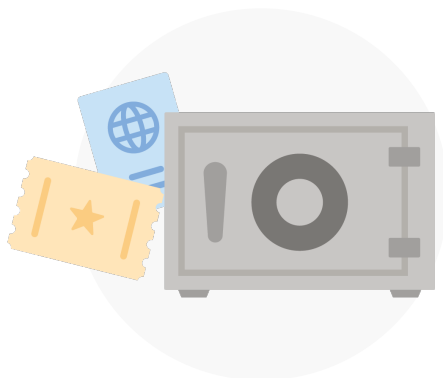
[Learn how to share files](#)



Security

With security features like [Personal Vault](#), [Ransomware detection and recovery](#),¹ and file encryption your work and memories are always secured.

¹Requires a Microsoft 365 Personal or Family subscription.



Get more features with the mobile app



Automatic camera roll backup

Automatically back up your phone's photos and videos so you never lose a memory.

Learn more: [iOS](#) or [Android](#)



Scan and save paper documents

Use your phone to scan and store paper documents, receipts or whiteboard notes in your OneDrive.

Learn more: [iOS](#) or [Android](#)



For more information about OneDrive visit the [OneDrive help center](#)



Be more creative, organized and secure with Microsoft 365

- ✓ Access, edit, and share files with 1 TB of OneDrive cloud storage.
- ✓ Protect your files and photos with advanced security.
- ✓ Get premium apps like Word, Excel, PowerPoint and more for all your devices.



For more about Microsoft 365
visit [OneDrive plans](#)









Confirmation of Receipt Form

Instructions: Complete all of Section 1, and either section 2,3, or 4, depending on the method of delivery

Section 1: Contractor/Owner Information

Contractor/Owner Name: _____

Address: _____

Phone: _____

Work site address: _____

Date: _____

Section 2: Delivery in person and Tenant signature obtained

I have received a copy of the pamphlet, *Protect Your Family From Lead in Your Home*, informing me of the potential risk of the lead exposure from renovation activity to be performed in my dwelling unit. I received this pamphlet before the work began. I also received notification of renovation stating where and when the renovation will be done.

Printed name of Tenant

Signature of Tenant

Section 3: Delivery in person; tenant signature not obtained

If lead pamphlet was delivered but a tenant signature was not obtainable, check the appropriate box below

Refusal to sign - I certify that I have made a good faith effort to deliver the pamphlet, *Protect Your Family From Lead in Your Home*, and notification of renovation to the rental dwelling unit listed above at the date and time indicated and that the occupant refused to sign the confirmation of receipt. I further certify that I have left a copy of the pamphlet and notification of renovation at the unit with the tenant.

Unavailable for signature – I certify that I have made a good faith effort to deliver the pamphlet, *Protect Your Family From Lead in Your Home*, and notification of renovation to the rental dwelling unit listed above and that the tenant was unavailable to sign the confirmation receipt. I further certify that I have left a copy of the pamphlet and notification of renovation at the unit by sliding them under the door.

Printed name of person certifying delivery

Signature of person certifying delivery

Section 4: Mailing Option

As an alternative to delivery in person, you may mail the lead pamphlet and notification of renovation to the tenant. This information must be mailed at least 7 days before renovation (Document with a certificate of mailing from the post office).

Printed name of person mailing

Signature of person mailing