

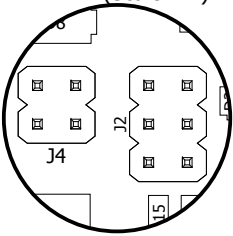
Ultimainboard V 2.1.4 PCBA overview

Taken from <https://github.com/Ultimaker/Ultimaker2>
 Latest commit fb8ba51 on 3 Jul 2015

No changes were made to the board.
 Documentation output generated by JonnyBischof on 2018-02-26
 Same licensing as Ultimaker 2 original files

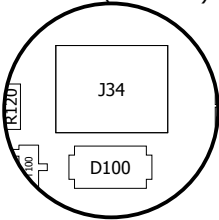
DETAIL A (Scale 2:1)

J4
 PB7 (4)(3) PB5
 PB6 (2)(1) PB4



J2 (ICSP2)
 GND (6)(5) nReset
 MOSI (4)(3) SCK
 +5V (2)(1) MISO

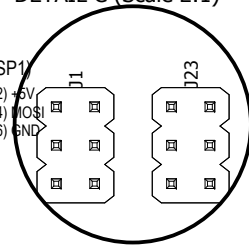
DETAIL B (Scale 2:1)



J34 (Hotend fan)
 PWM (-)
 +5V

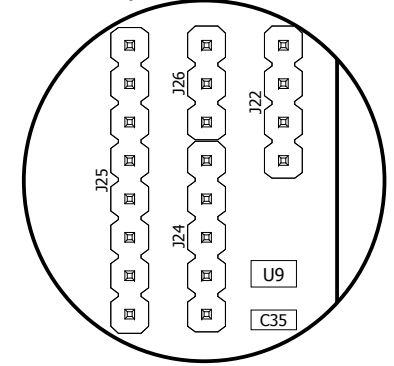
DETAIL C (Scale 2:1)

J1 (ICSP1)
 MISO (1)(2) +5V
 SCK (3)(4) MOSI
 nReset (5)(6) GND



J23 (EXT/IO)
 GND (1)(2) GND
 +5V (3)(4) +5V
 PC7 (5)(6) PD7

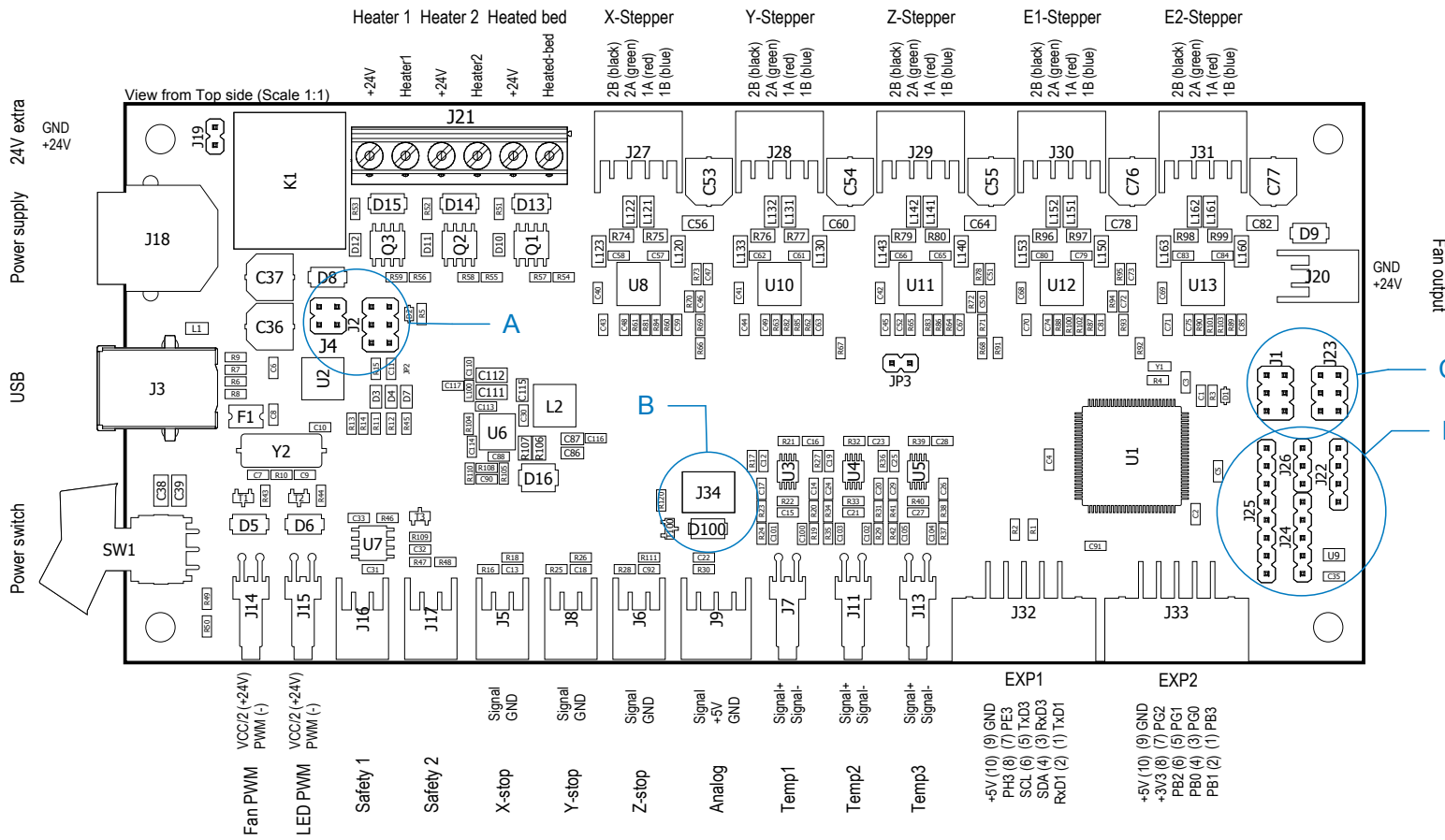
DETAIL D (Scale 2:1)



J25 (ADC1)
 ADC1 (1)
 ADC2 (2)
 ADC3 (3)
 ADC4 (4)
 ADC5 (5)
 ADC6 (6)
 ADC7 (7)
 ADC8 (8)

J26 (EXP3)
 +5V (1)
 GND (2)
 PB7 (3)

J27 (Serial)
 GND (1)
 GND (2)
 TxD2 (3)
 RxD2 (4)



Fan PWM
 VCC2 (+24V)
 PWM (-)

LED PWM
 VCC2 (+24V)
 PWM (-)

Safety 1

Safety 2

X-stop
 Signal
 GND

Y-stop
 Signal
 GND

Z-stop
 Signal
 GND

Analog
 Signal
 +5V
 GND

Temp1
 Signal+
 Signal-

Temp2
 Signal+
 Signal-

Temp3
 Signal+
 Signal-

EXP1
 +5V (10) (9) GND
 PH3 (8) (7) PE3
 SCL (6) (5) TXD3
 SDA (4) (3) RXD3
 RxD1 (2) (1) TXD1

EXP2
 +5V (10) (9) GND
 +3V3 (8) (7) PC2
 PB2 (6) (5) PC1
 PB0 (4) (3) PG0
 PB1 (2) (1) PB3

Power supply 24V extra
 GND +24V

USB

Power switch

GND +24V
 Fan pinout