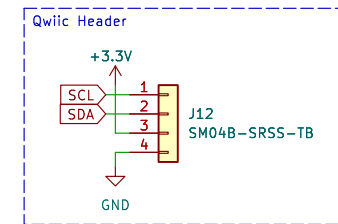
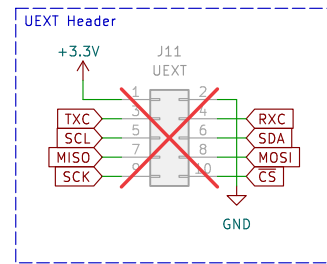
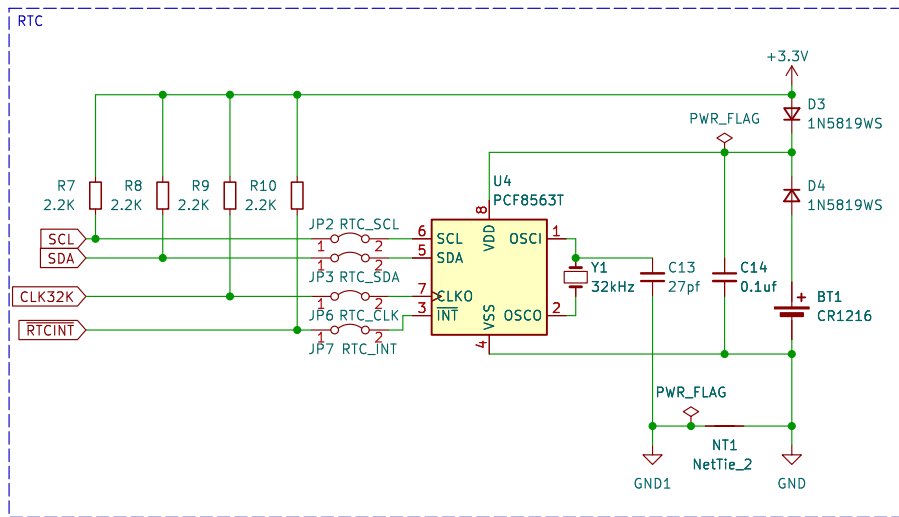
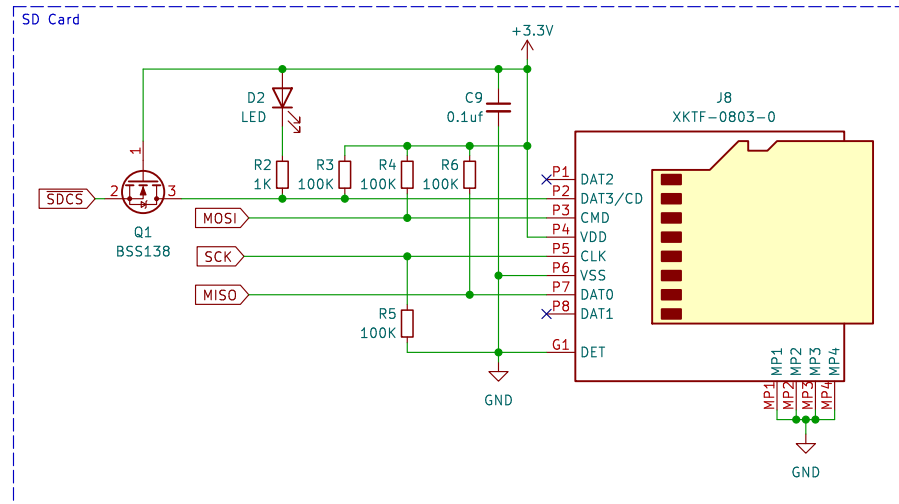
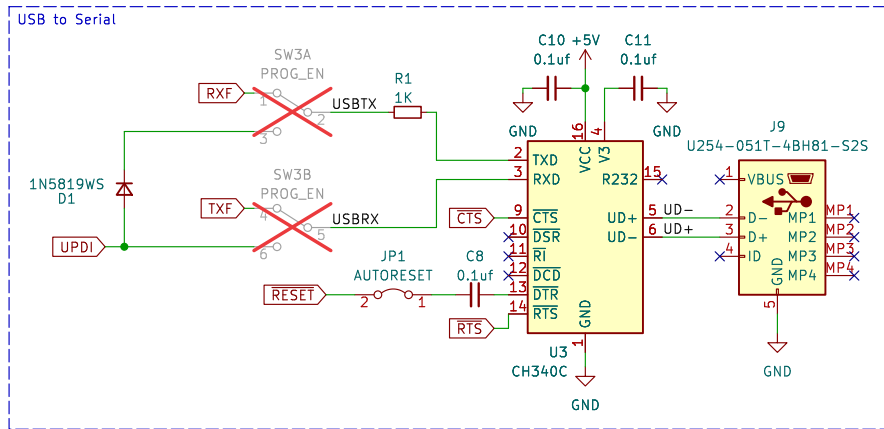


File: peripherals.kicad\_sch

<a href="https://github.com/jblang/avrbrain">https://github.com/jblang/avrbrain</a> <b>(C) 2023 J.B. Langston</b>	
Sheet: /	
File: avrbrain.kicad_sch	
<b>Title: AVRbrain</b>	
Size: A4	Date: 2024-01-23
KiCad E.D.A. kicad 7.0.7	Rev: 1.0 Id: 1/2



Sheet: /Peripherals/ File: peripherals.kicad_sch	
<b>Title:</b>	
Size: A4	Date:
KiCad E.D.A. kicad 7.0.7	Rev: Id: 2/2