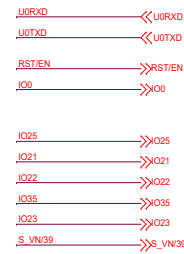
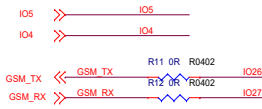
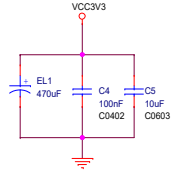
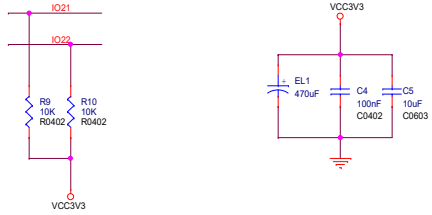
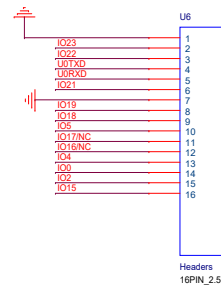
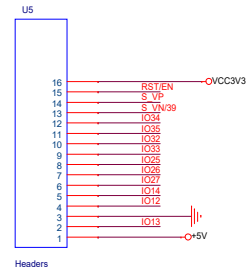
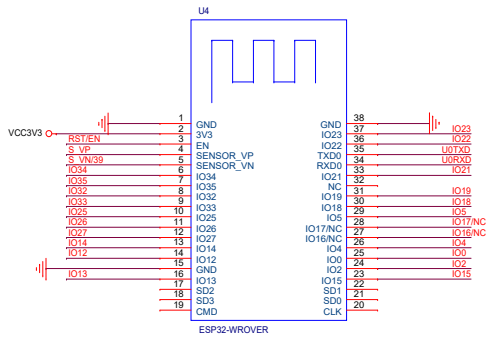
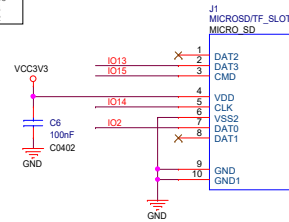
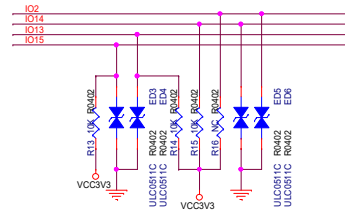
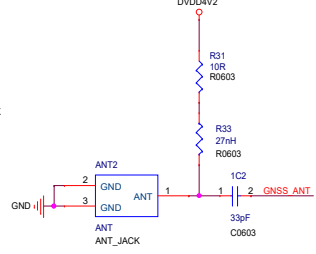
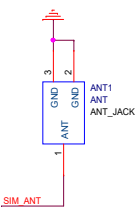
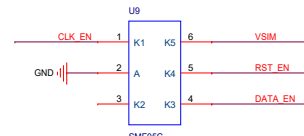
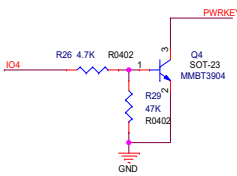
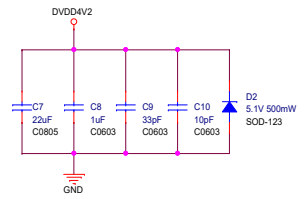
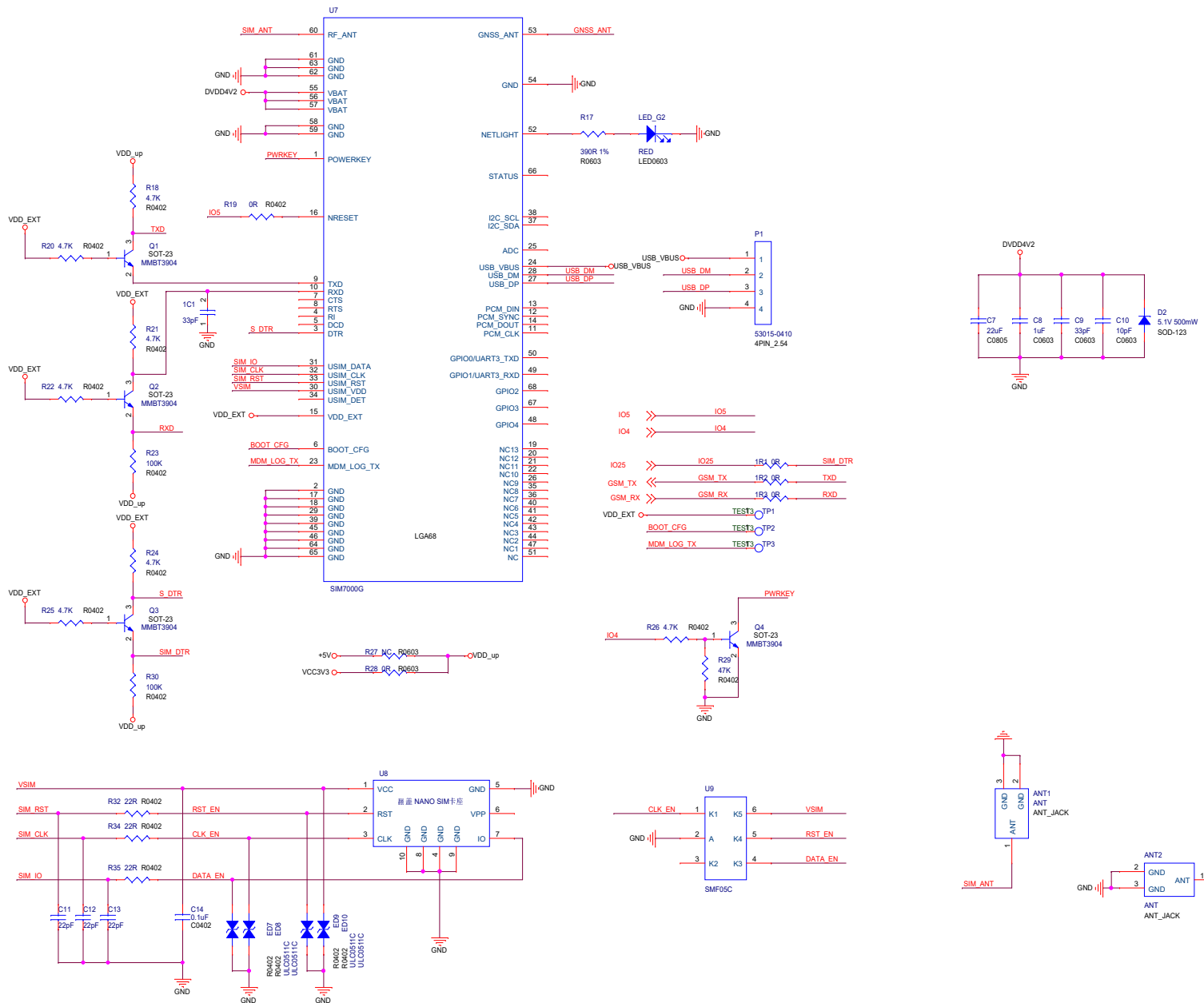


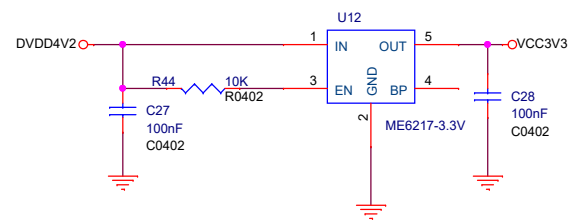
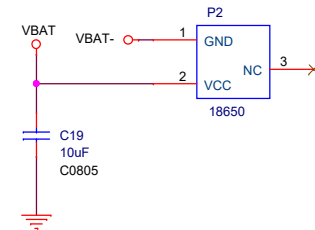
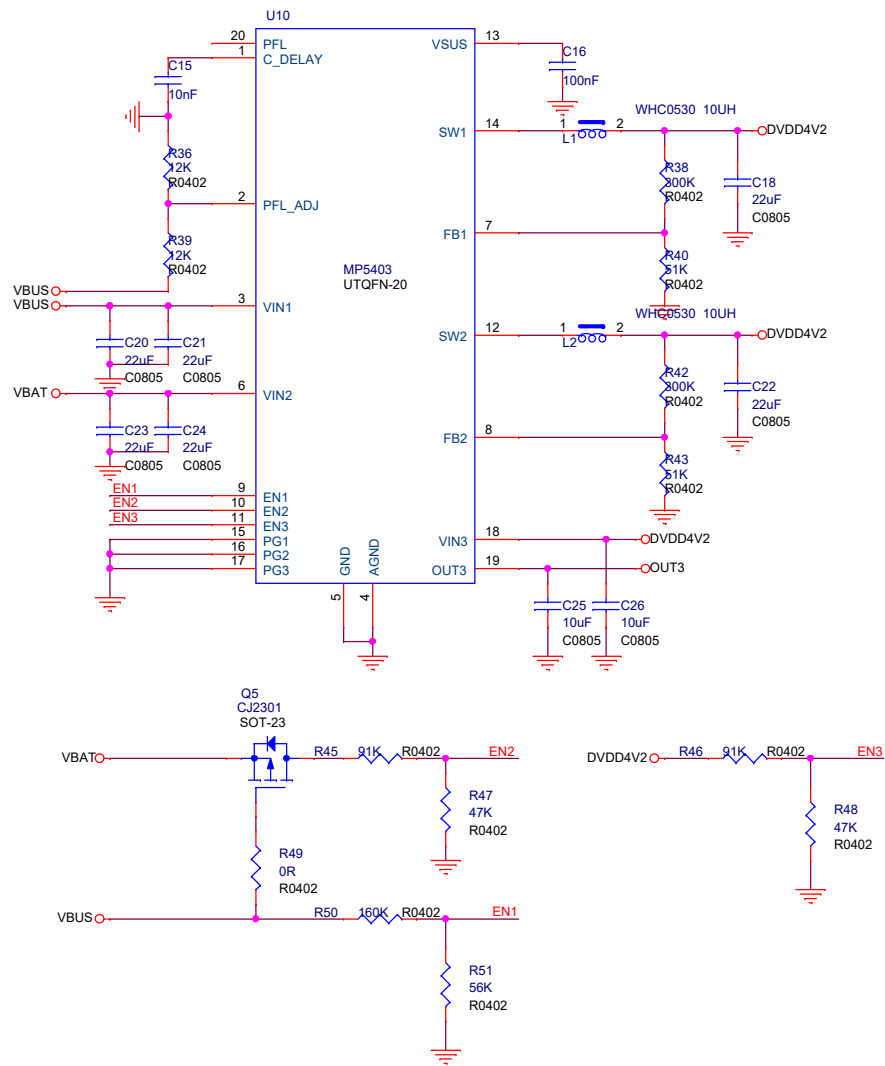
Title		
<Title>		
Size	Document Number	Rev
B	<Doc>	<RevCode>
Date:	Friday, October 25, 2019	Sheet 1 of 5



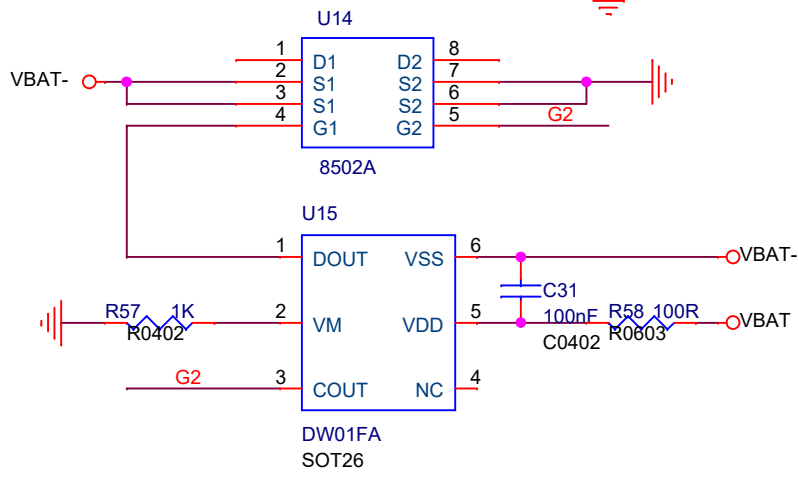
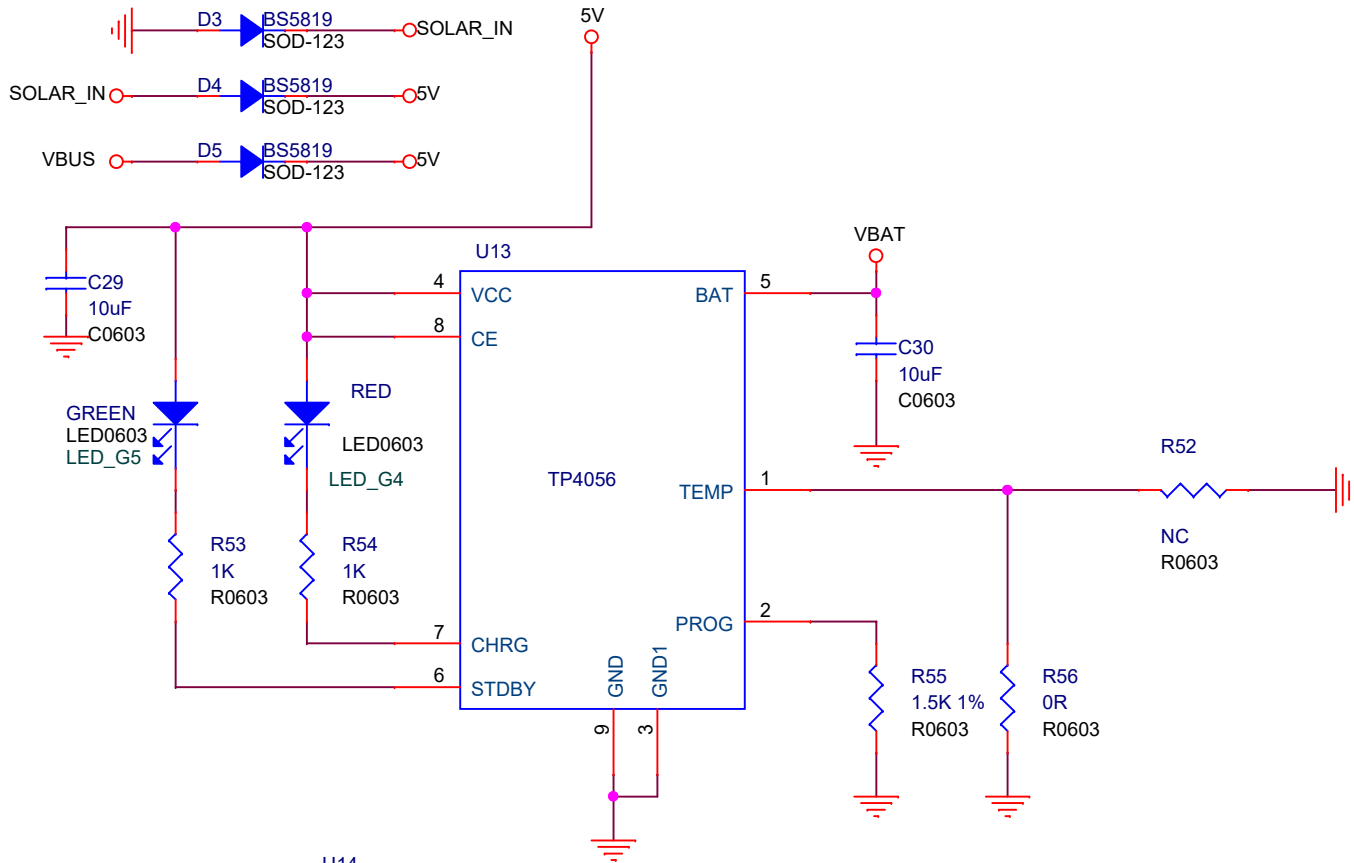
TF卡接法
SD3-CS-IO13
CMD-MISO-IO15
CLK-SCV-IO14
SD0-MISO-IO2







Title		<Title>
Size	Document Number	Rev
B	<Doc>	<RevCode>
Date:	Saturday, October 26, 2019	Sheet 4 of 5



Title		
<Title>		
Size	Document Number	Rev
A	<Doc>	<RevCode>
Date:	Saturday, October 26, 2019	Sheet 5 of 5