

Features:

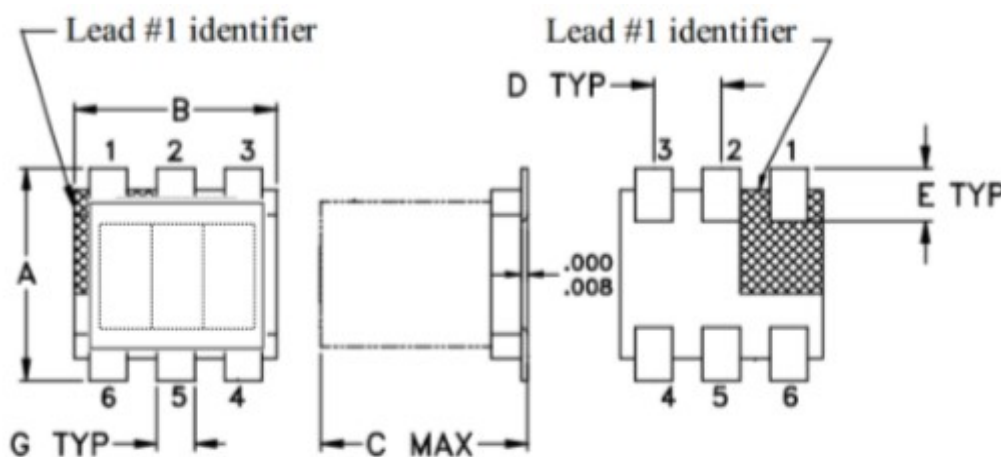


- ◆ Equivalent to: TCM1-63AX+
- ◆ 50Ω Characteristic Impedance
- ◆ Frequency: 10to6000 MHz
- ◆ Power Input(as a splitter): 0.50W Max
- ◆ DC current: 30mA
- ◆ Operating temperature range: -40°C to +85°C
- ◆ Storage temperature range: -55°C to +100°C

Applications:

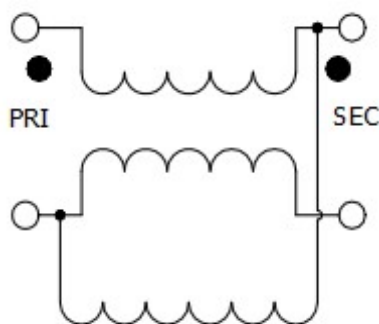
- ◆ For CATV broadb and FTTX applications
- ◆ For VHF/UHF receivers/transmitters and push-pull amplifiers

Dimension Diagram (Unit:mm) :

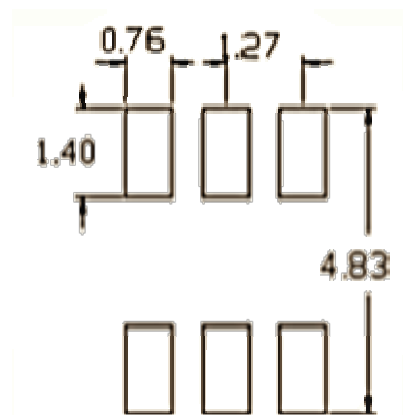


A=4.20±0.20 B=3.80±0.20 C=2.80±0.20 D=1.27±0.05 E=1.00±0.05

Electrical structure:

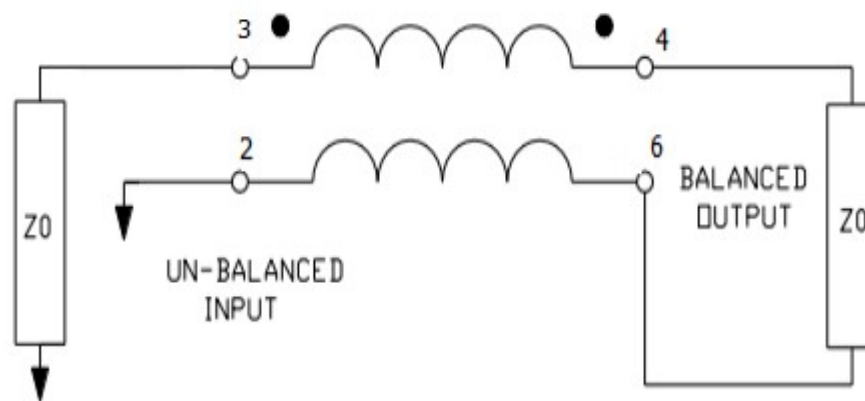


Recommended layout:



Pin configuration:

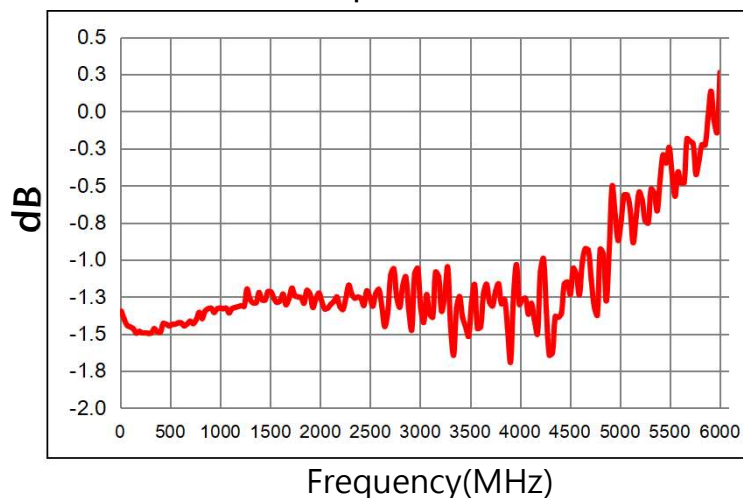
Pin no.	Function
3	Primary dot(Input)
2	primary (Ground)
1	Not connected
4	Secondary (Output 1)
5	Not connected
6	Secondary (Output 2)

Application circuit :

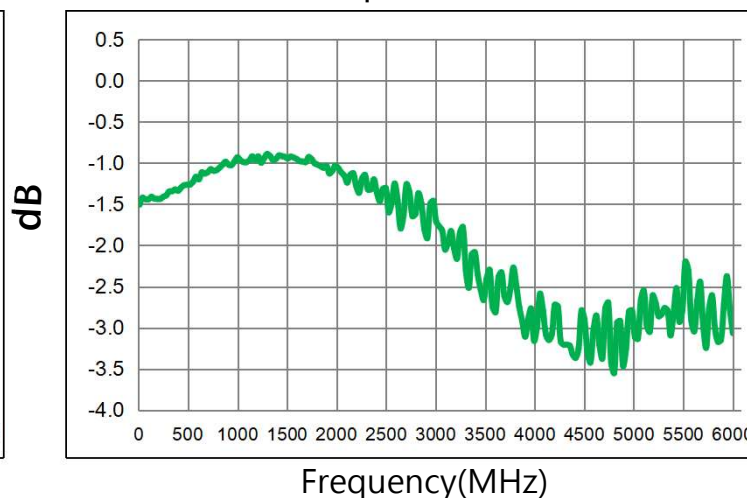
Electrical Specifications: $T_A=25^{\circ}\text{C}$ $Z_0=50\Omega$

Parameter	Test Conditions	Units	Min	Typ	Max
Main line Loss(out1)	10-6000MHz	dB	—	1.5	2.5
Main line Loss(out2)	10-6000MHz	dB	—	2.5	4.0
Amplitude Balance	10-6000MHz	dB	—	1.5	5.0
Phase Balance	10-6000MHz	dB	—	15.0	25.0
Input Return Loss	10-6000MHz	dB	10.0	16.0	—

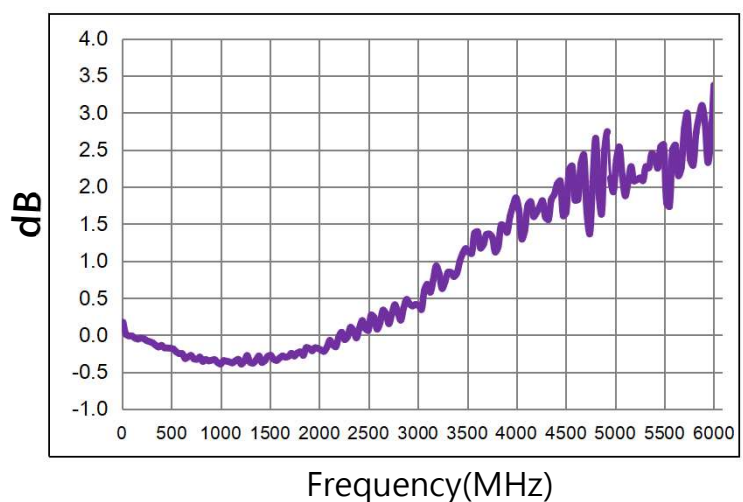
Main line Loss(port1)



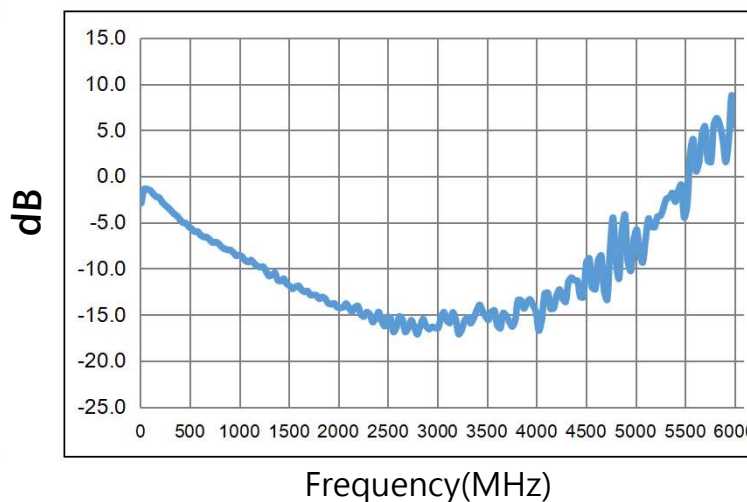
Main line Loss(port2)



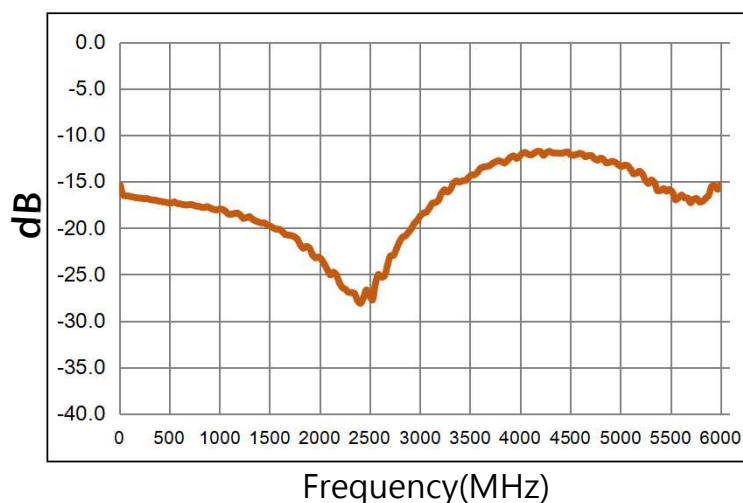
Amplitude Balance



Phase Balance

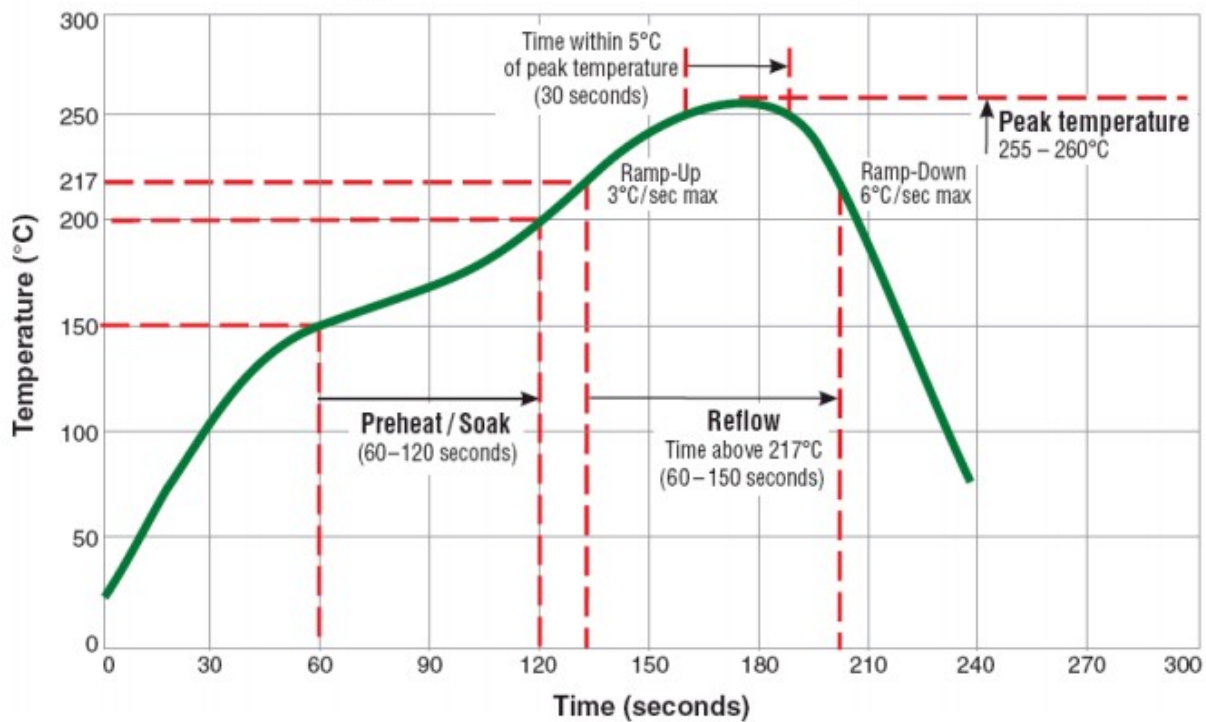


Input Return Loss



Recommended Soldering Temperature Graph:

Typical RoHS Reflow Profile



Packaging Dimension For Carrier Tape(UNIT:mm):

QUANTITY
2000PCS/Reel
4Reels/Middle Carton Middle Carton:
4 Middle Cartons/Big Carton
32000PCS/ Big Carton

SPEC	8	12	16	24
DIM A±0.1	8.5	12.5	16.5	24.5
DIM B±0.1	2.3	2.3	2.3	2.3
DIM C±0.1	100	100	100	100