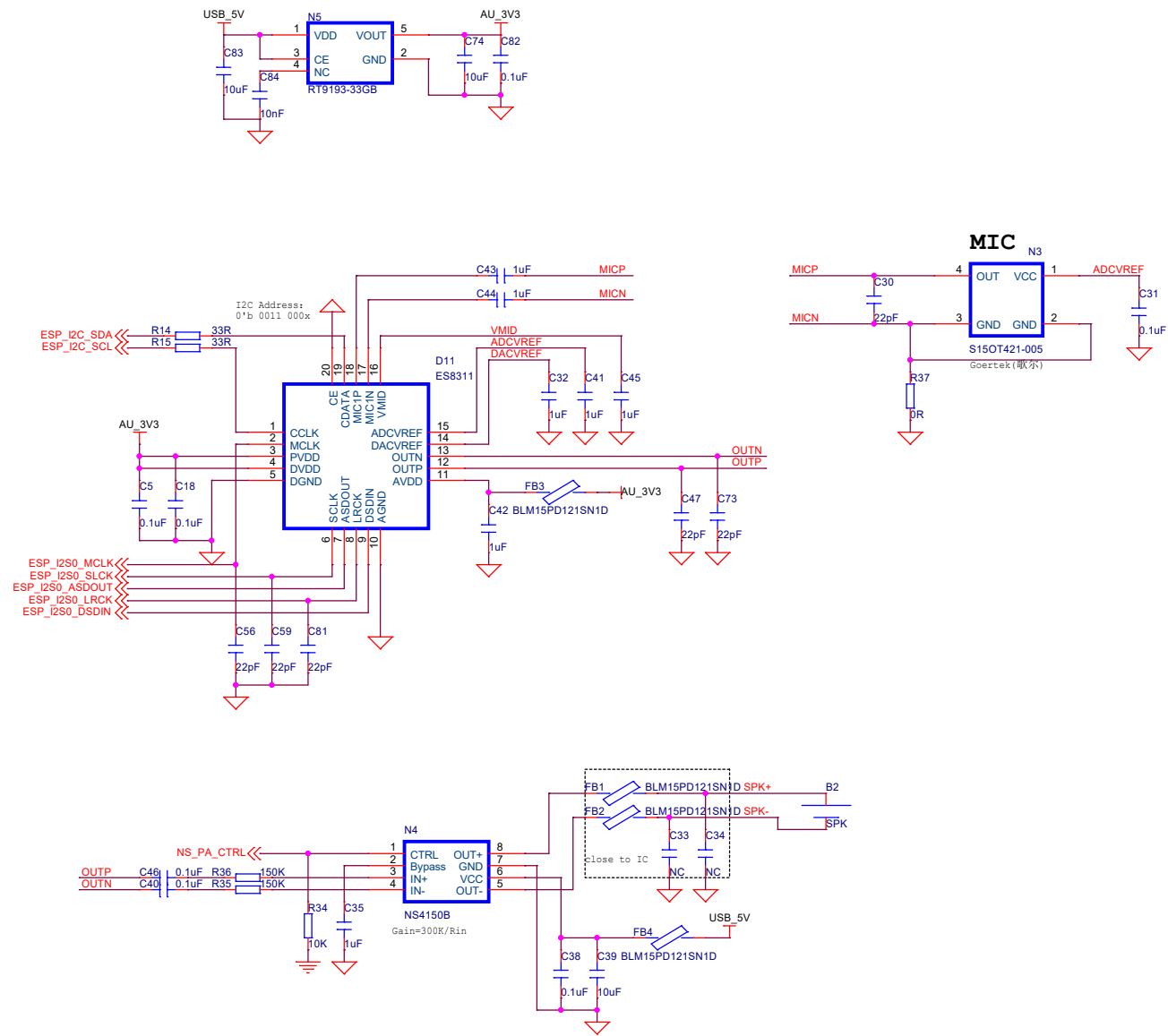


- CHIP_PU <-> CHIP_PU
- GPIO0 <-> CHIP_BOOT
- GPIO1 <-> LCD_D0
- GPIO2 <-> LCD_D2
- GPIO3 <-> LCD_D4
- GPIO4 <-> LCD_D6
- GPIO5 <-> LCD_D8
- GPIO6 <-> LCD_D10
- GPIO7 <-> LCD_D12
- GPIO8 <-> LCD_D14
- GPIO9 <-> LCD_D1
- GPIO10 <-> LCD_D3
- GPIO11 <-> LCD_D5
- GPIO12 <-> LCD_D7
- GPIO13 <-> LCD_D9
- GPIO14 <-> LCD_D11
- GPIO15 <-> LCD_D13
- GPIO18 <-> LCD_D15
- GPIO17 <-> LCD_WR
- GPIO18 <-> LCD_RST
- GPIO19 <-> ESP_USB_DM
- GPIO20 <-> ESP_USB_DP
- GPIO21 <-> LCD_RD
- GPIO22 <-> LCD_RD
- GPIO33 <-> ESP_LED_CTRL
- GPIO34 <-> ESP_SPI_CS_SD
- GPIO35 <-> ESP_SPI_MOSI
- GPIO36 <-> ESP_SPI_CLK
- GPIO37 <-> ESP_SPI_MISO
- GPIO38 <-> LCD_RS
- GPIO39 <-> ESP_I2C_SCL
- GPIO40 <-> ESP_I2C_SDA
- GPIO41 <-> ESP_I2S0_ASOUT0
- GPIO42 <-> ESP_I2S0_SLCK
- U0TXD <-> U0TXD
- U0RXD <-> U0RXD
- GPIO45 <-> ESP_I2S0_MCLK
- GPIO46 <-> TC9A955A_INT_L
- GPIO47 <-> ESP_I2S0_DSDIN
- GPIO48 <-> ESP_I2S0_LRCK

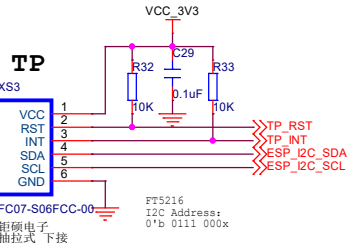
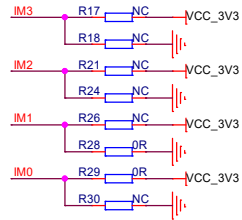
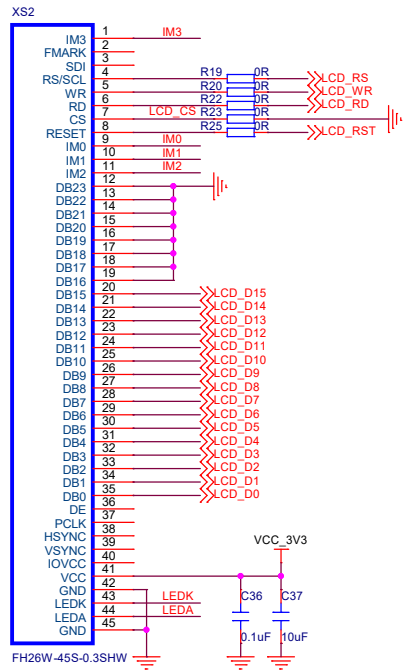
Ordering Code	SIP Flash	SIP PSRAM	Ambient Temperature (°C)	SPI Voltage
ESP32-S3	—	—	-40 ~ 105	3.3 V/1.8 V
ESP32-S3FN8	8 MB (Quad SPI)	—	-40 ~ 85	3.3 V
ESP32-S3R2	—	2 MB (Quad SPI)	-40 ~ 85	3.3 V
ESP32-S3R8	—	8 MB (Octal SPI)	-40 ~ 85	3.3 V
ESP32-S3R8V	—	8 MB (Octal SPI)	-40 ~ 85	1.8 V

SIP stands for Serial Peripheral Interface integrated into the package.
Octal SPI occupies five more GPIOs (GPIO20 ~ GPIO27) than Quad SPI.

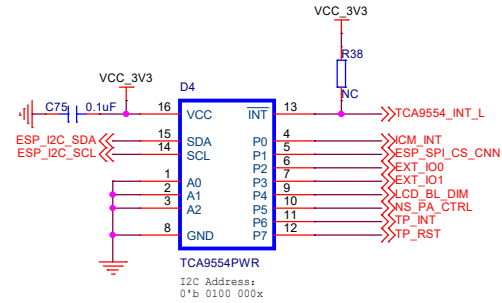
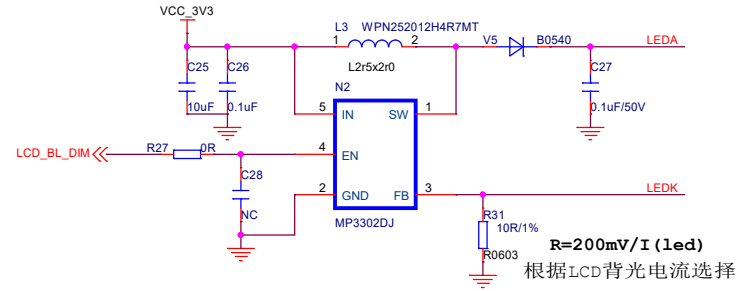


Title			<Title>
Size	Document Number	Rev	
A3	<Doc>	<RevCode>	
Date:	Thursday, April 07, 2022	Sheet	1 of 4

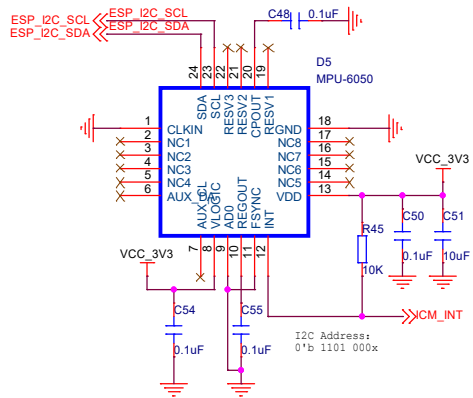
LCD Display



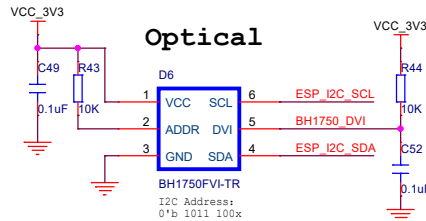
BACK LIGHT



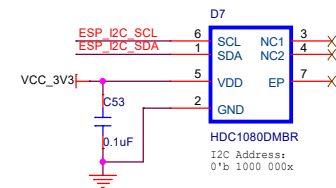
Motion



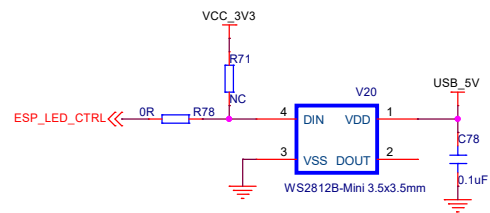
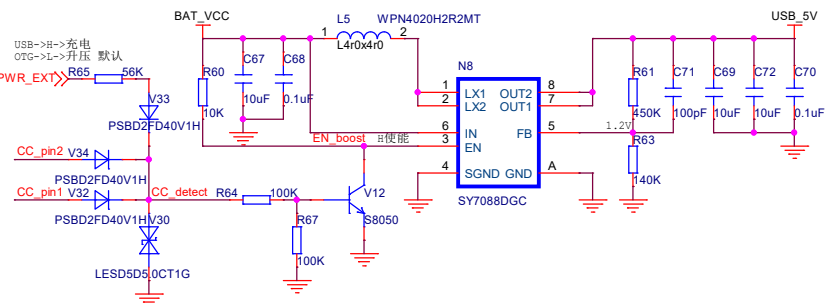
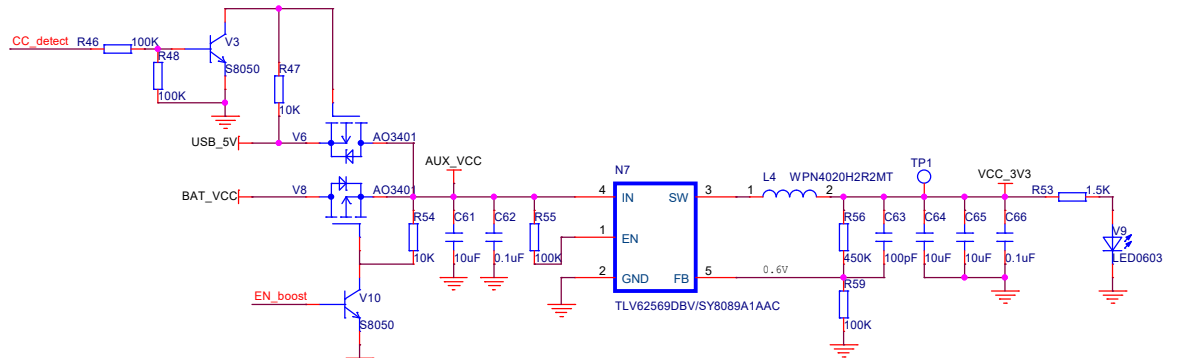
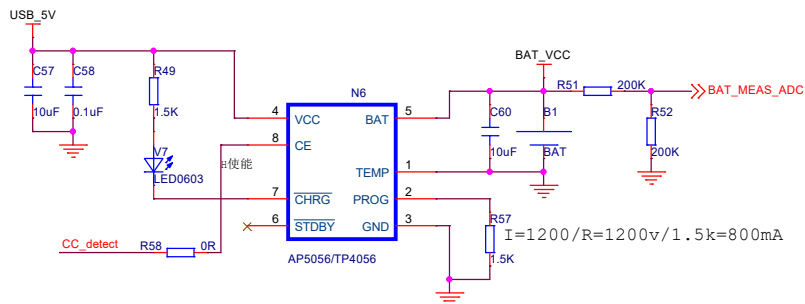
Optical



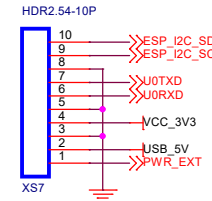
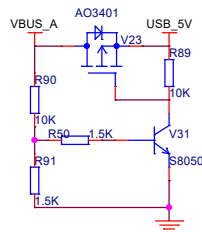
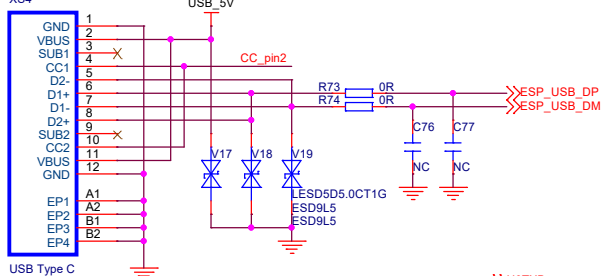
Temp. & Humidity



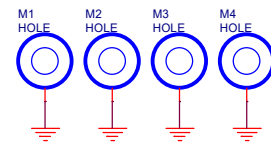
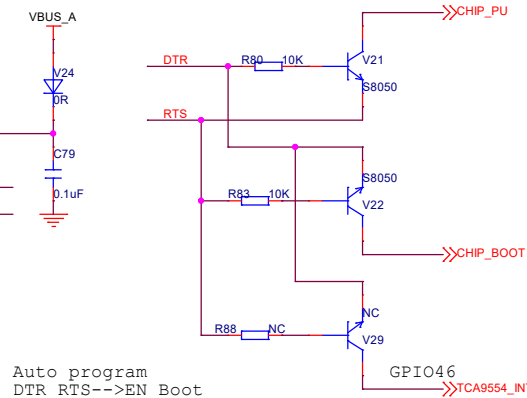
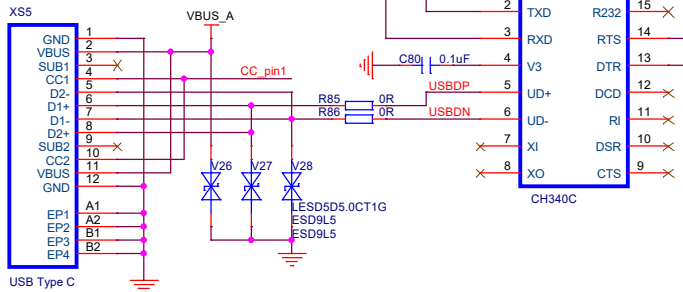
Title		<Title>
Size	Document Number	Rev
A3	<Doc>	<RevCode>
Date:	Thursday, April 07, 2022	Sheet 2 of 4



USB OTG



USB to UART



Auto program
DTR RTS-->EN Boot
1 1 1 1
0 0 1 1
1 0 0 1
0 1 1 0

Title		<Title>
Size	Document Number	Rev
A3	<Doc>	<Rev Code>
Date:	Thursday, April 07, 2022	Sheet 3 of 4