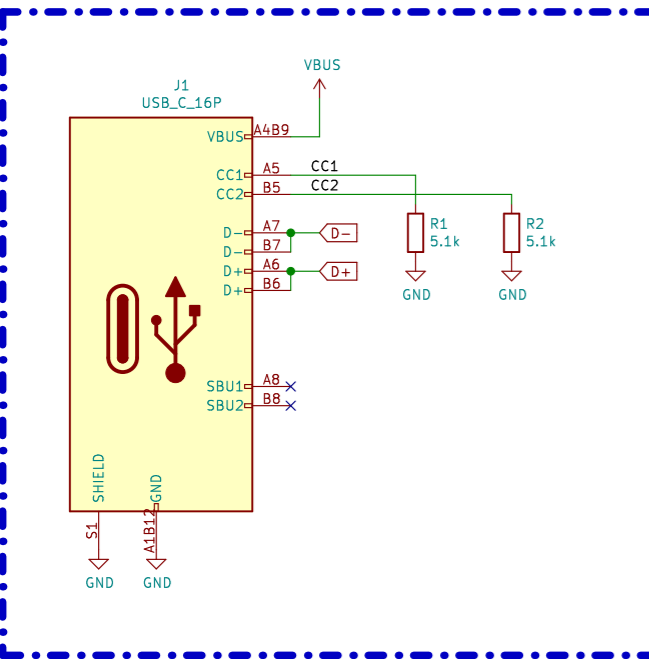
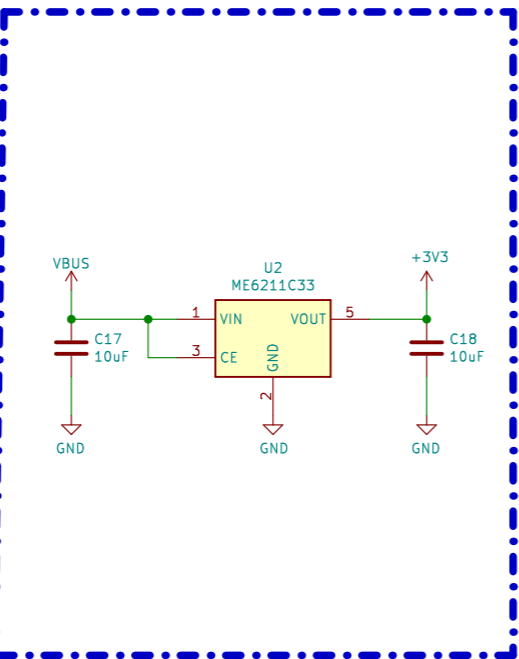


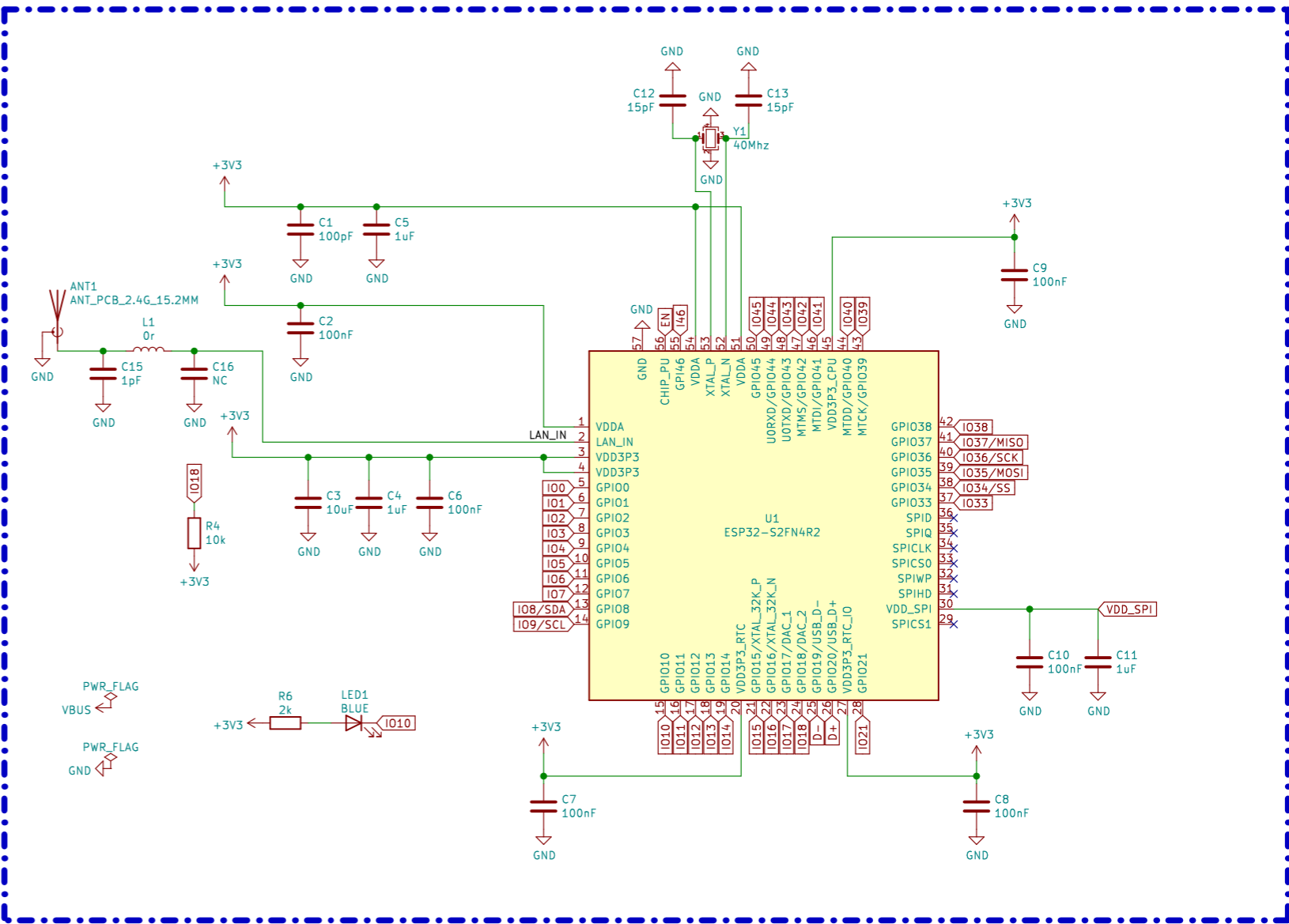
USB



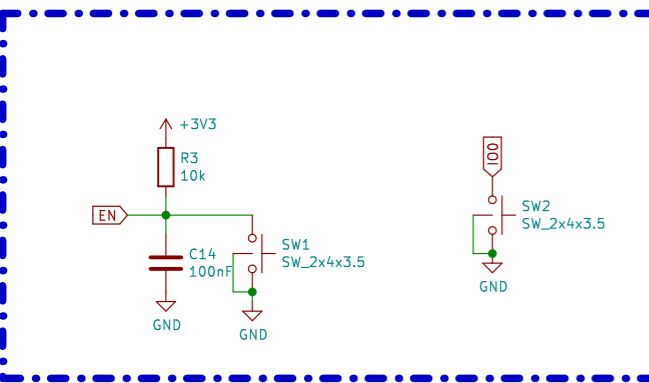
LDO



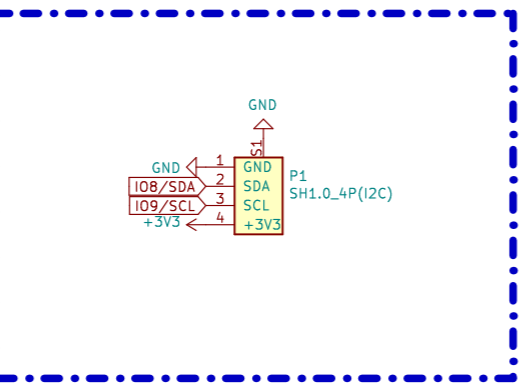
CORE



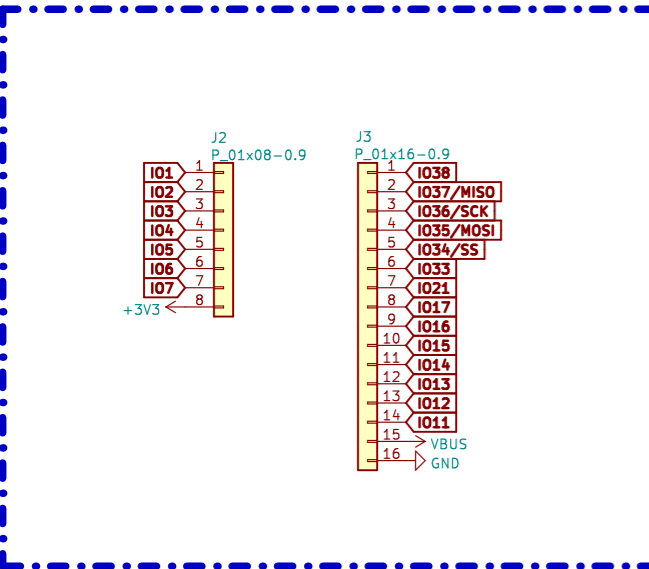
BUTTON



I2C PORT



PINS



OLED

