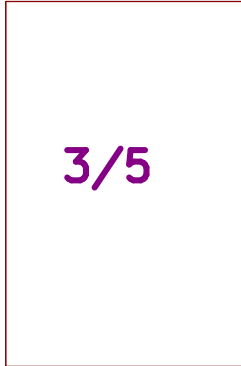


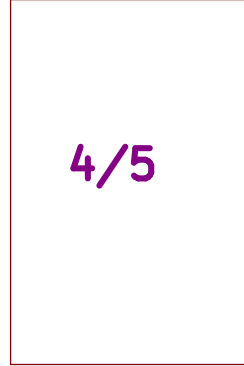
ROTARY ENCODER MODULE-19.1

PICO



File: pico.kicad_sch

CONNECTOR



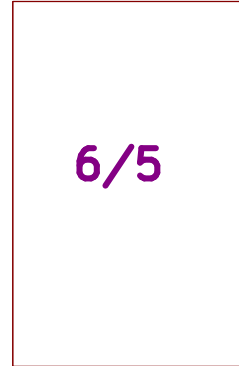
File: connector.kicad_sch

ROTARY



File: rotary.kicad_sch

LED



File: led.kicad_sch

ROTARY ENCODER MODULE
Licensed under the CERN OHL P 2.0 or later
WIZcube



Sheet: Root
File: M10HM02-19.kicad_sch

Title: M10MH02

Size: A4 Date: 2022-03-22

KiCad E.D.A. 8.0.3

Rev: 19.1

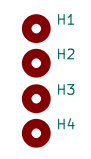
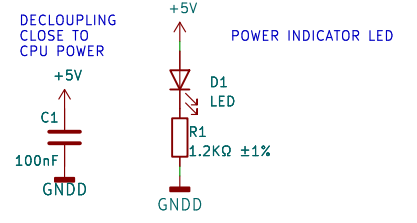
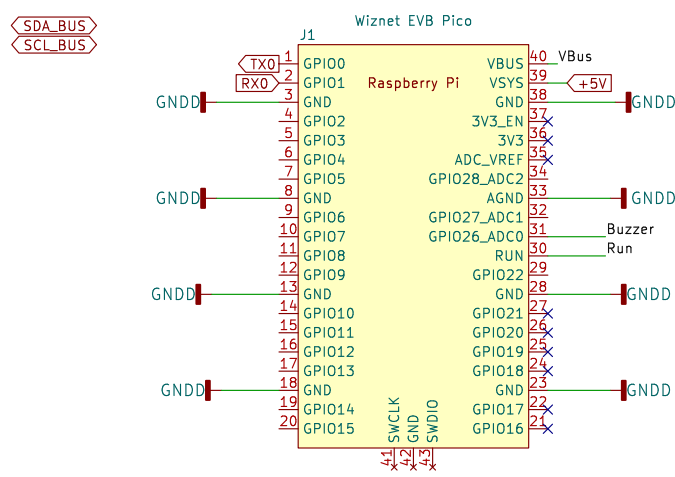
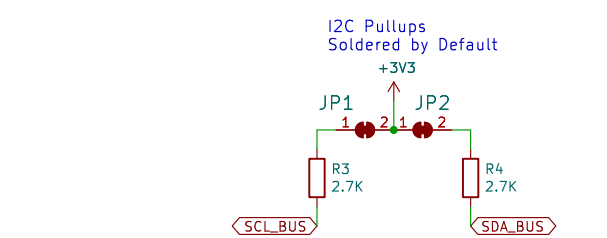
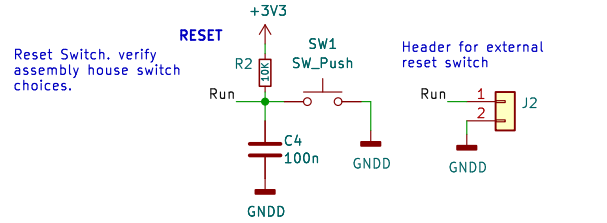
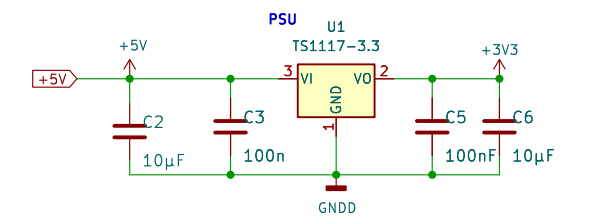
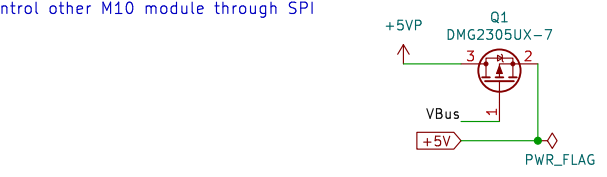
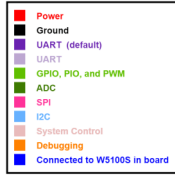
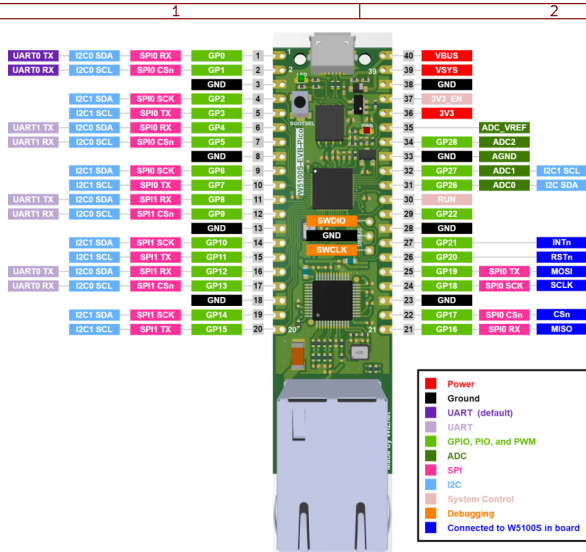
Id: 1/5

PICO STAGE-19.1

README FIRST

GPIO16-GPIO21 used by WIZNET
 GPIO16, GPIO18, GPIO19 shared with WIZNET, CANBUS, SD, SPI on the BUS to control other M10 module through SPI
 ALL have different CS pins and INTERRUPT pins

PMOSFET to allow powering PICO from external +5V while still connected via USB. Per Raspberry Pi Pico datasheet.



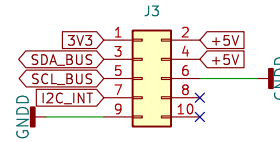
PICO STAGE
 Licensed under the CERN OHL P 2.0 or later
WIZcube
 Sheet: PICO
 File: pico.kicad_sch
Title: M10MH02

OSHW
GR000004

Size: A4	Date: 2022-03-16	Rev: 19.1
KiCad E.D.A. 8.0.3		Id: 3/5

CONNECTOR STAGE-19.1

Pi Model B/B+			
3V3 Power	1	2	5V Power
GPIO2 SDA1_I2C	3	4	5V Power
GPIO3 SCL1_I2C	5	6	Ground
GPIO4	7	8	GPIO14 UART2_TXD
Ground	9	10	GPIO15 UART2_RXD
GPIO17	11	12	GPIO18 PCB_CLK
GPIO27	13	14	Ground
GPIO22	15	16	GPIO23
3V3 Power	17	18	GPIO24
GPIO10 SPI_MOSI	19	20	Ground
GPIO9 SPI_MISO	21	22	GPIO25
GPIO11 SPI_CSCLK	23	24	GPIO8 SPI_CS0_N
Ground	25	26	GPIO7 SPI_CS1_N
ID_SD DC ID EEPROM	27	28	ID_SC DC ID EEPROM
GPIO5	29	30	Ground
GPIO6	31	32	GPIO12
GPIO13	33	34	Ground
GPIO19	35	36	GPIO16
GPIO26	37	38	GPIO20
Ground	39	40	GPIO21



CONNECTOR STAGE
Licensed under the CERN OHL P 2.0 or later

WIZcube

Sheet: CONNECTOR
File: connector.kicad_sch

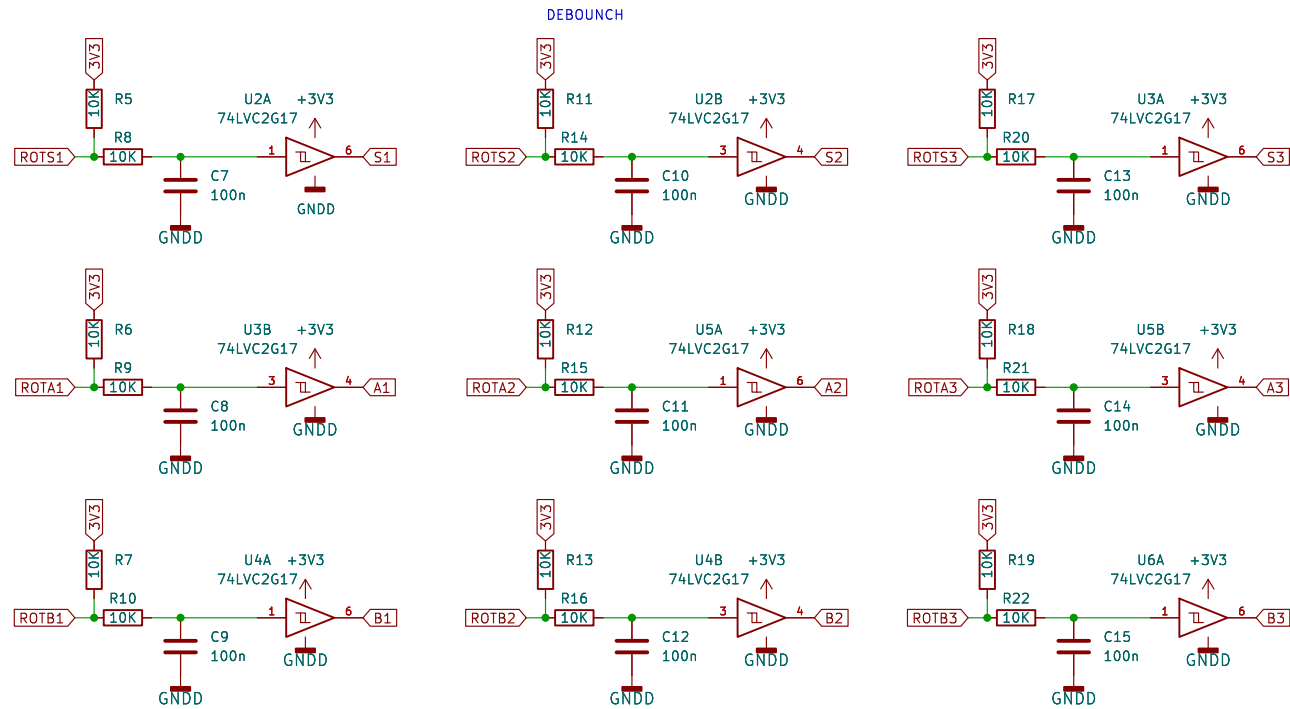
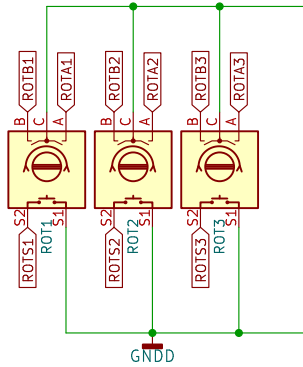
Title: M10MH02

Size: A4 Date: 2022-03-22
KiCad E.D.A. 8.0.3



Rev: 19.1
Id: 4/5

ROTARY ENCODER STAGE-19.1



ROTARY ENCODER STAGE
 Licensed under the CERN OHL P 2.0 or later

WIZcube

Sheet: ROTARY
 File: rotary.kicad_sch

Title: M10MH02

Size: A4 Date: 2022-03-22

KiCad E.D.A. 8.0.3

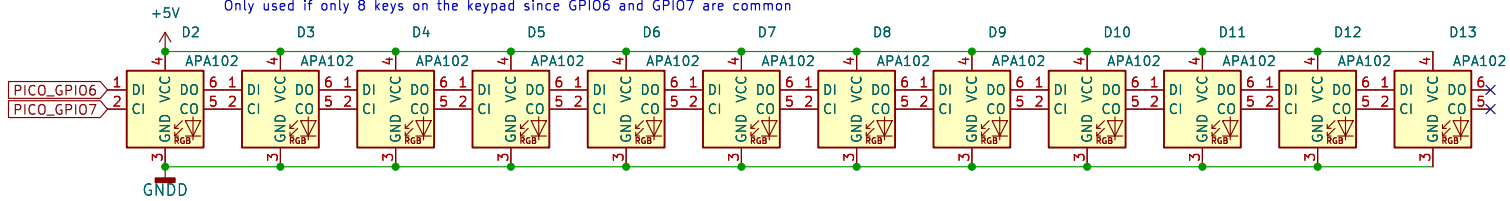


Rev: 19.1

Id: 5/5

RGB LED STAGE-19.1

These RGB LEDS can be used as keyboard lighting or as general purpose indicators
 Only used if only 8 keys on the keypad since GPIO6 and GPIO7 are common



RGB LED STAGE
 Licensed under the CERN OHL P 2.0 or later

WIZcube

Sheet: LED
 File: led.kicad_sch

Title: M10MH02

Size: A4 Date: 2022-03-22

KiCad E.D.A. 8.0.3



Rev: 19.1

Id: 6/5