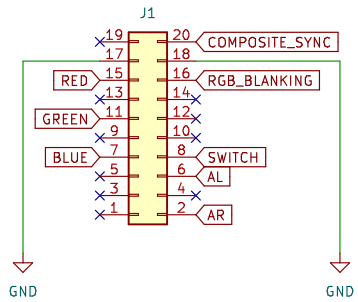
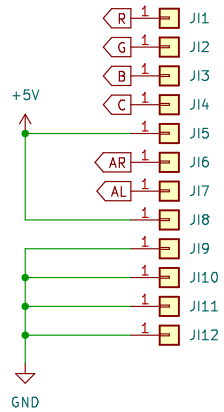


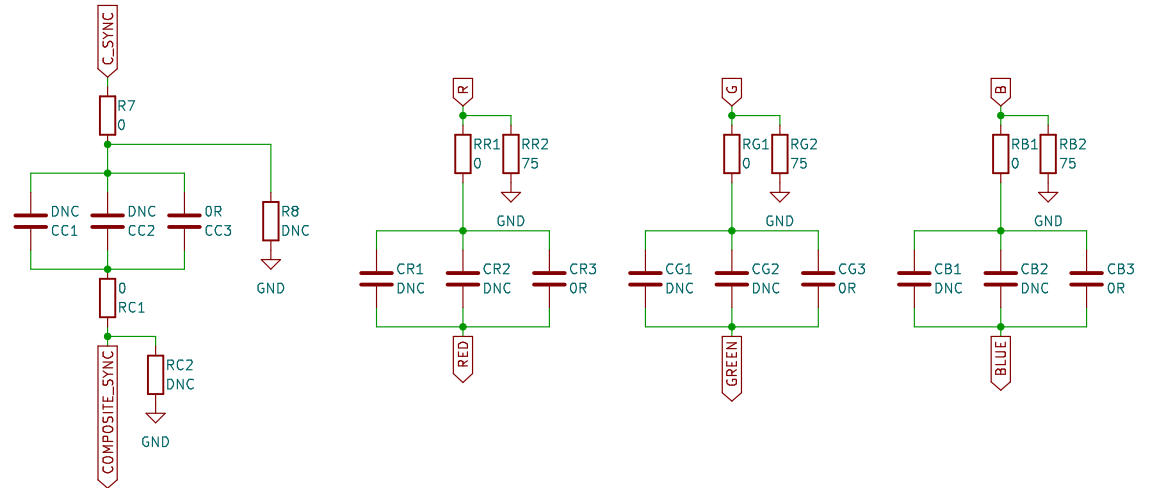
SCART



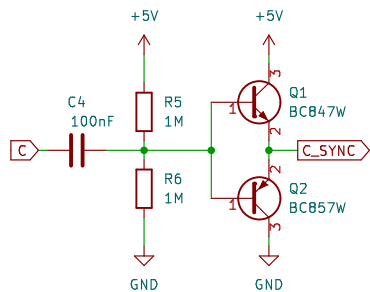
Input signals



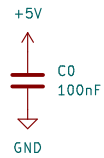
Video signals



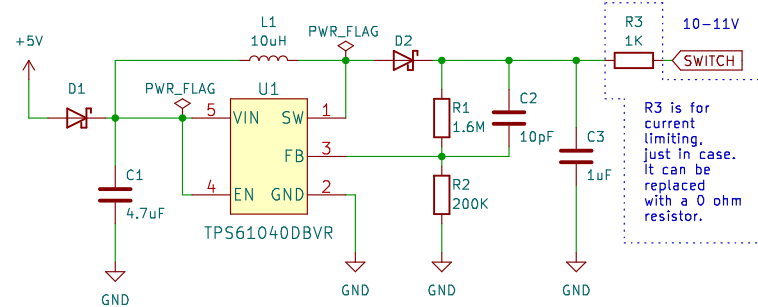
Video Buffer



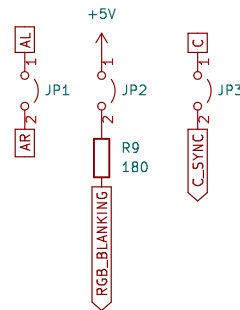
Decoupling



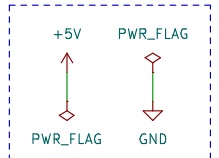
Boost converter



Configuration jumpers



Power flags



A PCB for console SCART connector
screwbreaker

Sheet: /
 File: ScartPCB.kicad_sch

Title: ScartPCB

Size: A4 Date: 2023-08-10
 KiCad E.D.A. kicad 6.0.11-2627ca5db0-126-ubuntu20.04.1

Rev: 2.0
 Id: 1/1